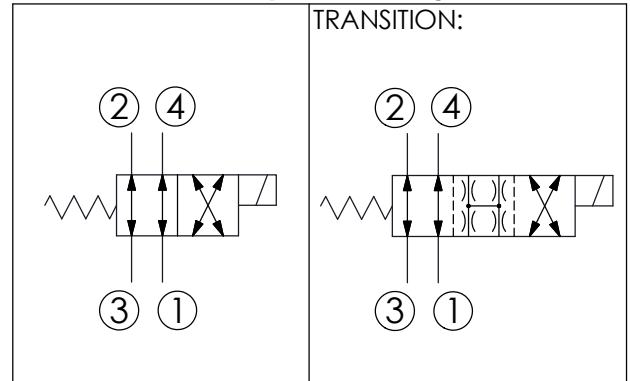
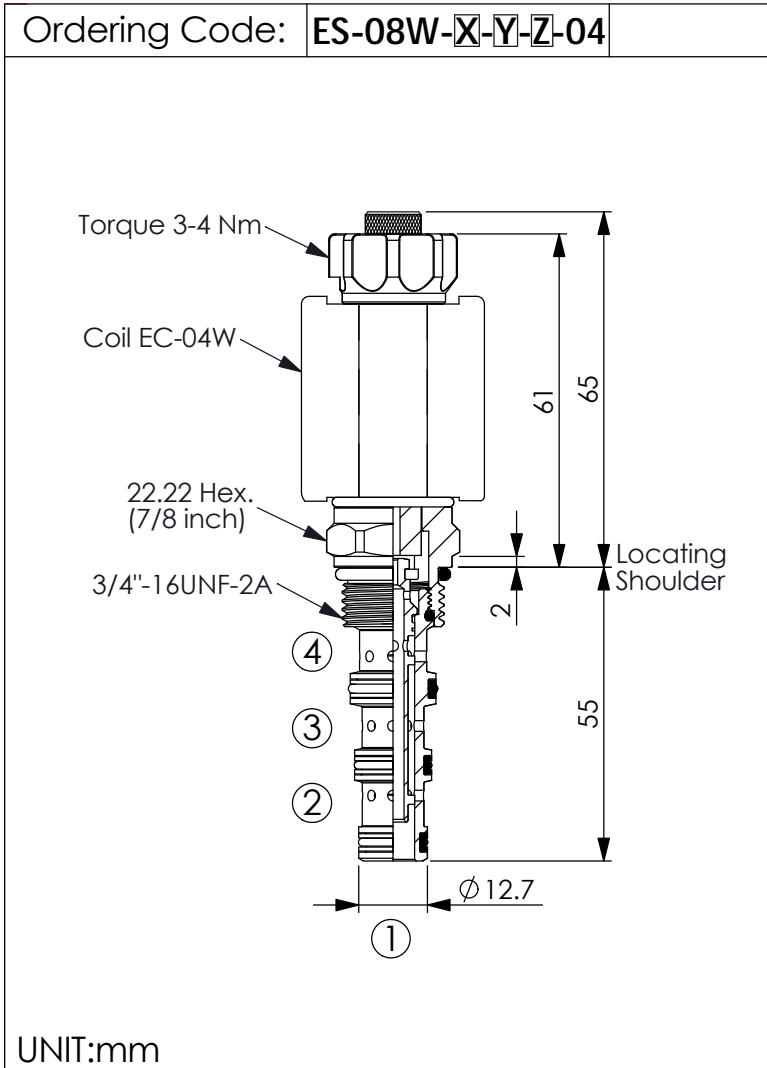
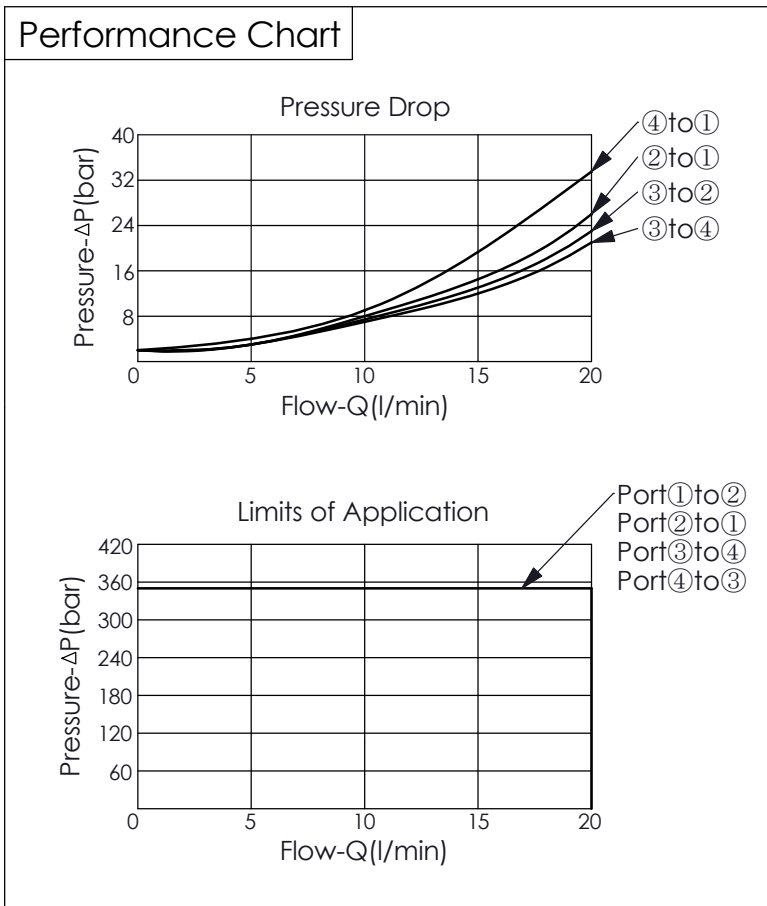


## SOLENOID OPERATED VALVES (Spool, 4-Way, 2-Position)



TECHNICAL DATA		
Rated pressure:	350	bar (Refer To Performance Chart)
Rated flow:	15	l/min (Refer To Performance Chart)
Cavity-Tooling:	08W-4	
Installation torque:	39-51	Nm
Weight:	0.12 (Z:M)	kg
Fluids-Temperatures:	-40 to 120 °C	
Internal Leakage:	80 cc/minute max. at 210 bar	
Response time depending on pressure and flow	ON	30-60 ms
	OFF	20-40 ms
Filtration:	25 µm nominal or better	
Minimum Voltage Required:	90 % of nominal	
Coils must be ordered separately		
Mounting Position:	unrestricted	



X	STRUCTURE	
4A	4 Ports · 20 Watt. Coil	Ø 12.7 mm tube
Y	OPERATION	
10	Spool 4-Way, 2-Position	
Z	OPTIONS	
N	Non-adjustable	
M	Screw-out Knob Style	