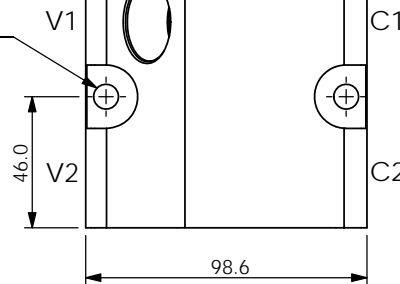
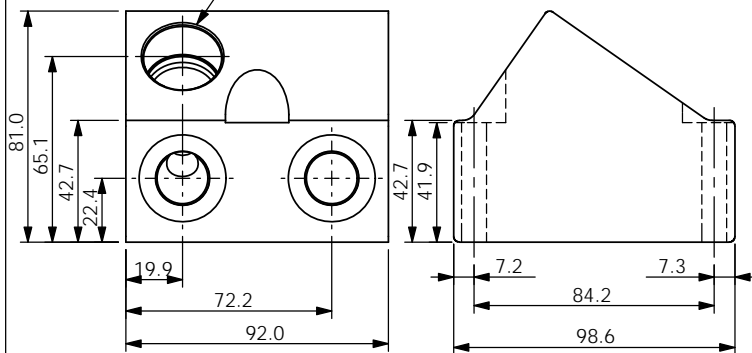


Ordering Code: **ML-2A3-X-Y 41-Z**

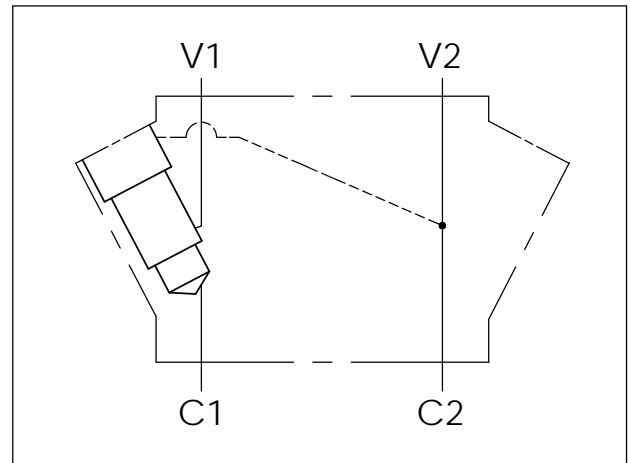
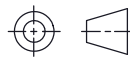
Mounting Holes:  
Ø8.7mm. diameter  
through hole.  
2 places.



2A3 Cavity  
Locating Shoulder  
Depth 18.3 mm.



UNIT:mm



### TECHNICAL DATA

Aluminum Body Pressure Rating: 210 bar  
Ductile Iron  
Body Pressure Rating: 350 bar

Cavity:

Refer to 2A3

\* Refer to Winner Cartridge Valves Catalog.

Aluminum	1.25 kg(WITHOUT VALVES)
Ductile Iron	3.5 kg(WITHOUT VALVES)

\* If you need the special specification.  
Please contact us.

### PORT SIZE

X	PORTS	PORTS	
	V1,V2	C1,C2	
G04	G 1/2"	G 1/2"	

### Y BODY MATERIAL

A	HIGH-STRENGTH ALUMINUM
S	DUCTILE IRON

### Z CARTRIDGE VALVES SELECTION

	WITHOUT VALVE
CB3H	CB2A33HL (3:1 , 7-280bar)
CO03	CO2A3003N (120LPM ,0.3bar)

The selection is only example. Please refer to Winner Cartridge Program and to select the appropriate valves and manifolds assembly in accordance with request function (flow 、 pressure 、 ... etc.)