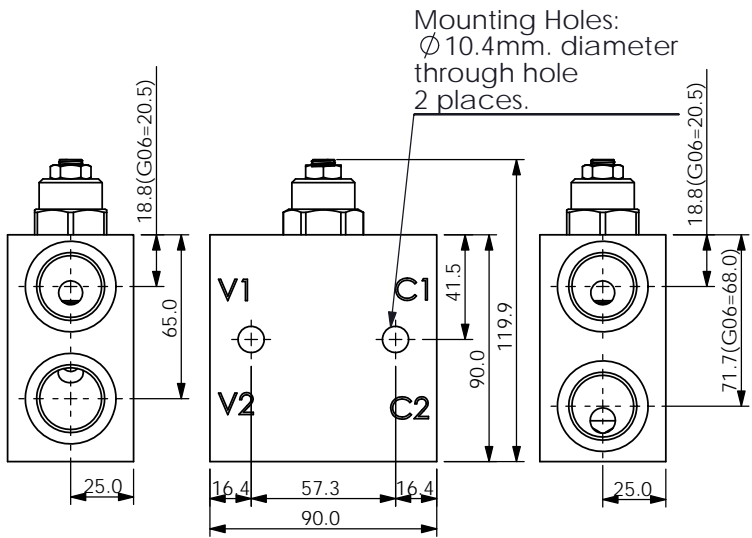
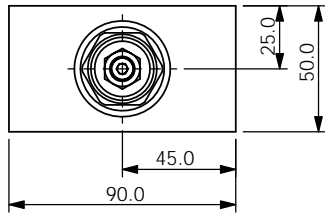
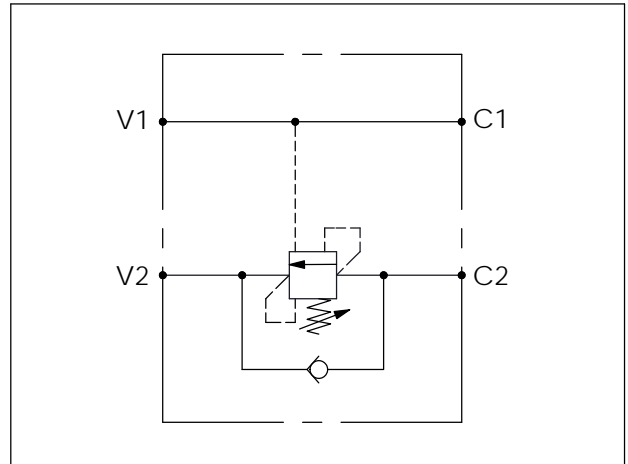


Ordering Code: **ML-2A3-X-Y 02-Z**  
 Stack Height : 50.0mm



UNIT:mm



### TECHNICAL DATA

Aluminum Body Pressure Rating: 250 bar  
 Ductile Iron Body Pressure Rating: 350 bar

Rated flow: 120 l/min

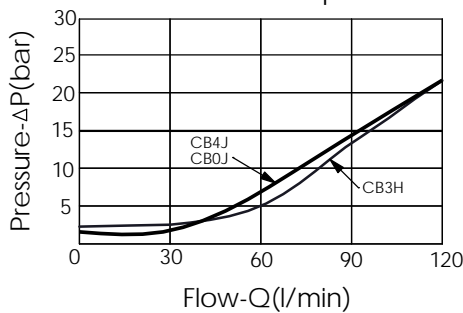
Cartridge Valve:  
 Refer to CB2A-X-Y-Z

\* Refer to Winner Cartridge Valves Catalog.

Aluminum	0.83 kg(WITHOUT VALVES) 1.23 kg(INCLUDE VALVES)
Ductile Iron	2.31 kg(WITHOUT VALVES) 2.71 kg(INCLUDE VALVES)

\* If you need the special specification.  
 Please contact us.

Free Flow or Piloted Open  
 Pressure Drop



### PORT SIZE

X	PORTS	
	V1,V2	C1,C2
G04	G 1/2"	G 1/2"
G06	G 3/4"	G 3/4"
S10	SAE 10	SAE 10

### Y BODY MATERIAL

**A** HIGH-STRENGTH ALUMINUM

**S** DUCTILE IRON

### Z CARTRIDGE VALVES SELECTION

WITHOUT VALVE

**CB3H** CB2A33HL (3:1 , 280bar)

**CB4J** CB2A34JL (4.5:1 , 350bar)

**CB0J** CB2A30JL (10:1 , 350bar)

The selection is only example. Please refer to Winner Cartridge Program and to select the appropriate valves and manifolds assembly in accordance with request function (flow 、 pressure 、 ... etc.)