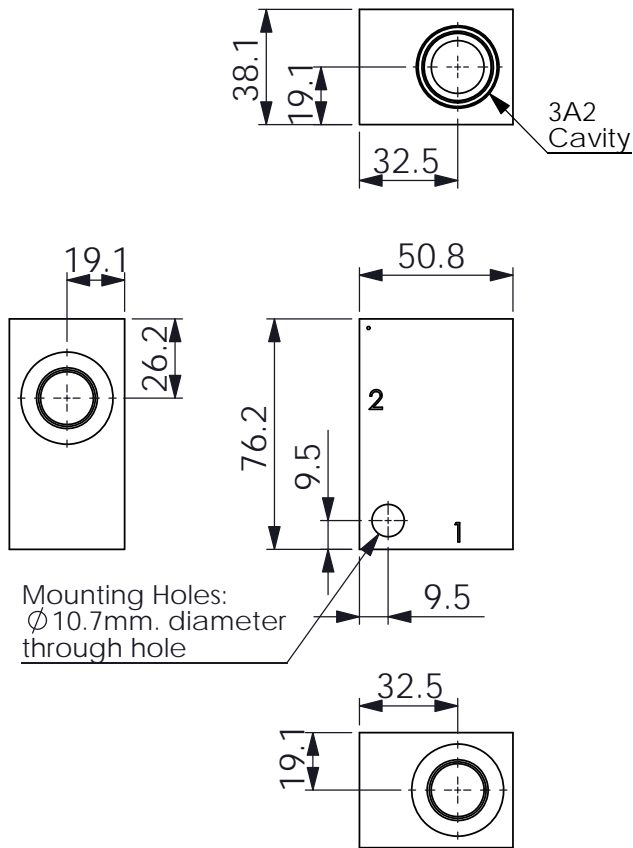
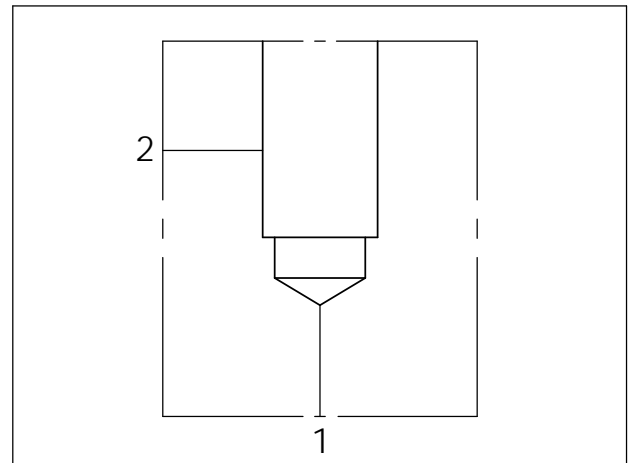
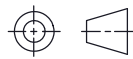


Ordering Code: **ML-3A2-X-Y 01-Z**



UNIT:mm



### TECHNICAL DATA

Aluminum Body Pressure Rating: 210 bar  
Ductile Iron Body Pressure Rating: 350 bar

Cavity:

Refer to 3A2

\* Refer to Winner Cartridge Valves Catalog.

Aluminum	0.35 kg(WITHOUT VALVES)
Ductile Iron	0.9 kg(WITHOUT VALVES)

\* If you need the special specification.  
Please contact us.



X	PORT SIZE		
	PORT	PORT	
	1	2	
G03	G 3/8"	G 3/8"	
G04	G 1/2"	G 1/2"	
G06	G 3/4"	G 3/4"	
P03	3/8"PT	3/8"PT	

Y	BODY MATERIAL	
A	HIGH-STRENGTH ALUMINUM	
S	DUCTILE IRON	

Z	CARTRIDGE VALVES SELECTION	
	WITHOUT VALVE	
RP0A	RP3A20AL(200 LPM,7-210 bar)	
RD5A	RD3A25AL(200 LPM,35-210 bar)	

The selection is only example. Please refer to Winner Cartridge Program and to select the appropriate valves and manifolds assembly in accordance with request function (flow 、 pressure 、 ... etc.)