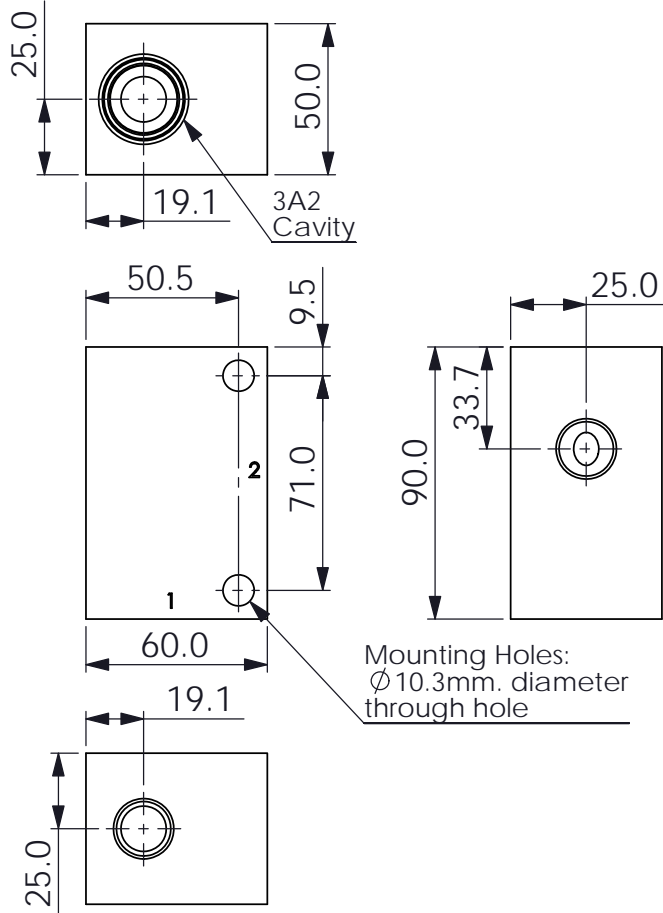
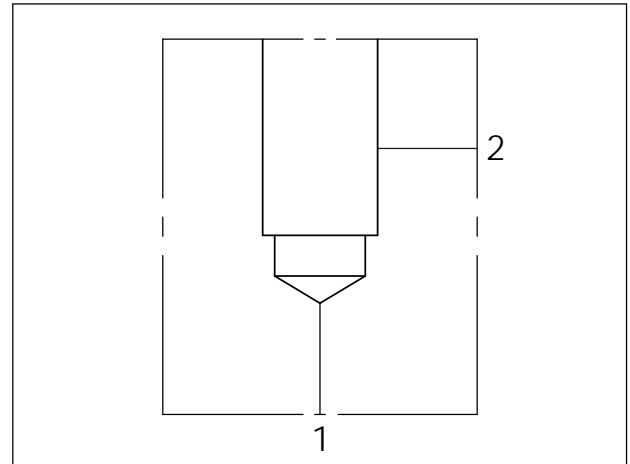
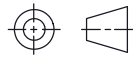


Ordering Code: **ML-3A2-X-Y 01-Z**



UNIT:mm



TECHNICAL DATA

Aluminum Body Pressure Rating: 210 bar
Ductile Iron
Body Pressure Rating: 350 bar

Cavity:

Refer to 3A2

* Refer to Winner Cartridge Valves Catalog.

| | |
|----------|-------------------------|
| Aluminum | 0.65 kg(WITHOUT VALVES) |
|----------|-------------------------|

* If you need the special specification.
Please contact us.

PORT SIZE

| X | PORT | | |
|-----|----------|----------|--|
| | 1 | 2 | |
| A04 | 1/2" NPT | 1/2" NPT | |

Y BODY MATERIAL

A HIGH-STRENGTH ALUMINUM

Z CARTRIDGE VALVES SELECTION

WITHOUT VALVE

RP0A RP3A20AL(200 LPM,7-210 bar)

RD5A RD3A25AL(200 LPM,35-210 bar)

The selection is only example. Please refer to Winner Cartridge Program and to select the appropriate valves and manifolds assembly in accordance with request function (flow 、 pressure 、 ... etc.)