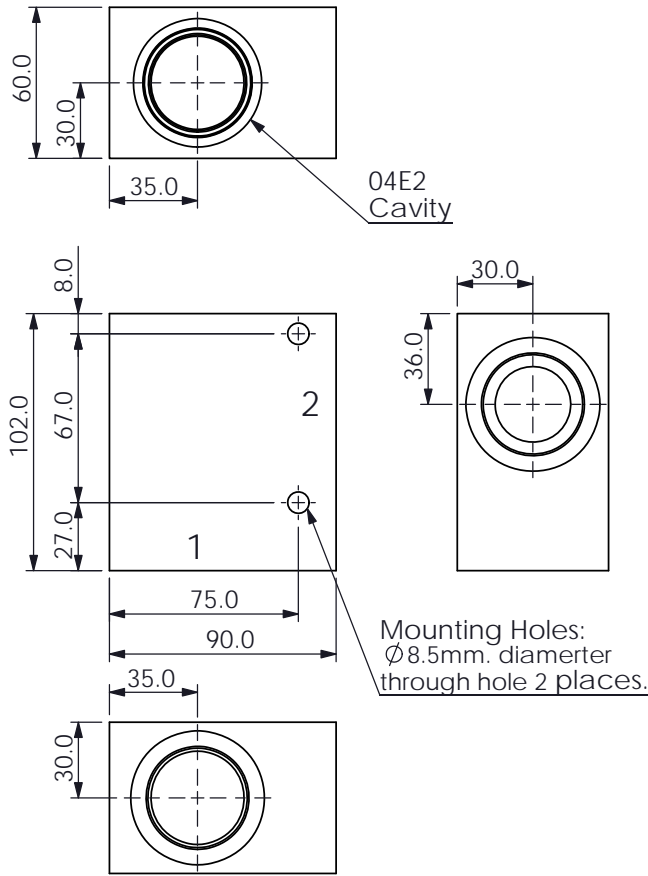
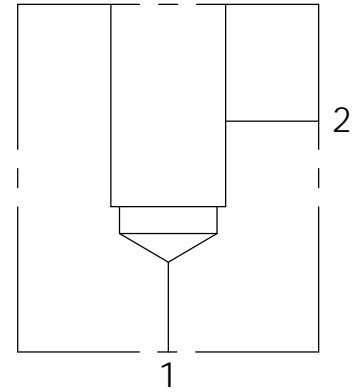
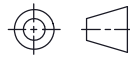


Ordering Code: **ML-04E2-X-Y 01-Z**



UNIT:mm



### TECHNICAL DATA

Aluminum Body Pressure Rating: 210 bar  
Ductile Iron Body Pressure Rating: 350 bar

Cavity:

Refer to 04E2

\* Refer to Winner Cartridge Valves Catalog.

Aluminum	0.85 kg(WITHOUT VALVES)
----------	-------------------------

Ductile Iron	2.9 kg(WITHOUT VALVES)
--------------	------------------------

\* If you need the special specification. Please contact us.

### PORT SIZE

X	PORT		
	1	2	
G08	G 1"	G 1"	
G10	G1-1/4"	G1-1/4"	

### Z CARTRIDGE VALVES SELECTION

WITHOUT VALVE		
EP03	EP04E2A03N05 , 260LPM,350bar (NORMALLY CLOSED,WITHOUT COIL)	
EP04	EP04E2A04N05 , 260LPM,350bar (NORMALLY OPEN,WITHOUT COIL)	
EP03M	EP04E2A03M05 , 260LPM,350bar (NORMALLY CLOSED,WITHOUT COIL)	
EP04P	EP04E2A04P05 , 260LPM,350bar (NORMALLY OPEN,WITHOUT COIL)	

COIL MUST BE ORDERED SEPARATELY  
(REFER TO EC-04W-X-Y-Z)

The selection is only example. Please refer to Winner Cartridge Program and to select the appropriate valves and manifolds assembly in accordance with request function (flow 、 pressure 、 ... etc.)

Y	BODY MATERIAL	
A	HIGH-STRENGTH ALUMINUM	
S	DUCTILE IRON	