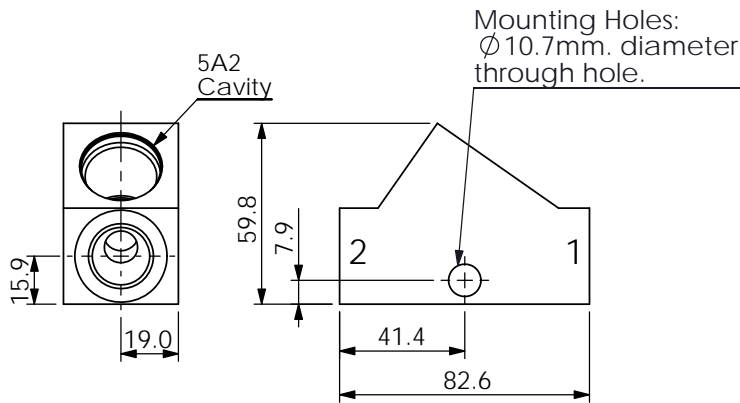
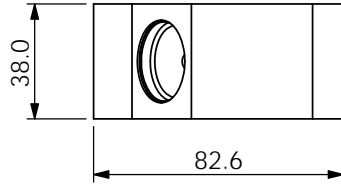
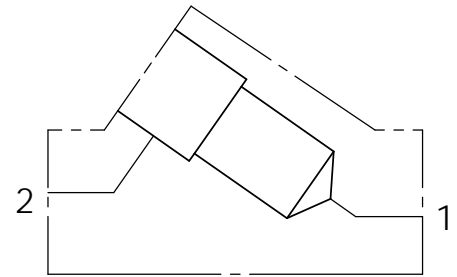


Ordering Code: **ML-5A2-X-Y 41-Z**



UNIT:mm



### TECHNICAL DATA

Aluminum Body Pressure Rating: 210 bar  
Ductile Iron Body Pressure Rating: 350 bar

Cavity:

Refer to 5A2

\* Refer to Winner Cartridge Valves Catalog.

Aluminum	0.25 kg(WITHOUT VALVES)
----------	-------------------------

Ductile Iron	0.69 kg(WITHOUT VALVES)
--------------	-------------------------

\* If you need the special specification. Please contact us.

### PORT SIZE

X	PORT		
	1	2	
G04	G 1/2"	G 1/2"	

### Y BODY MATERIAL

**A** HIGH-STRENGTH ALUMINUM

**S** DUCTILE IRON

### Z CARTRIDGE VALVES SELECTION

WITHOUT VALVE

**CV03** CV5A2003N(160LPM,0.3bar)

**NV33** NV5A2033L (350bar)

**FR0A** FR5A20AL (45LPM,350bar)

The selection is only example. Please refer to Winner Cartridge Program and to select the appropriate valves and manifolds assembly in accordance with request function (flow 、 pressure 、 ... etc.)