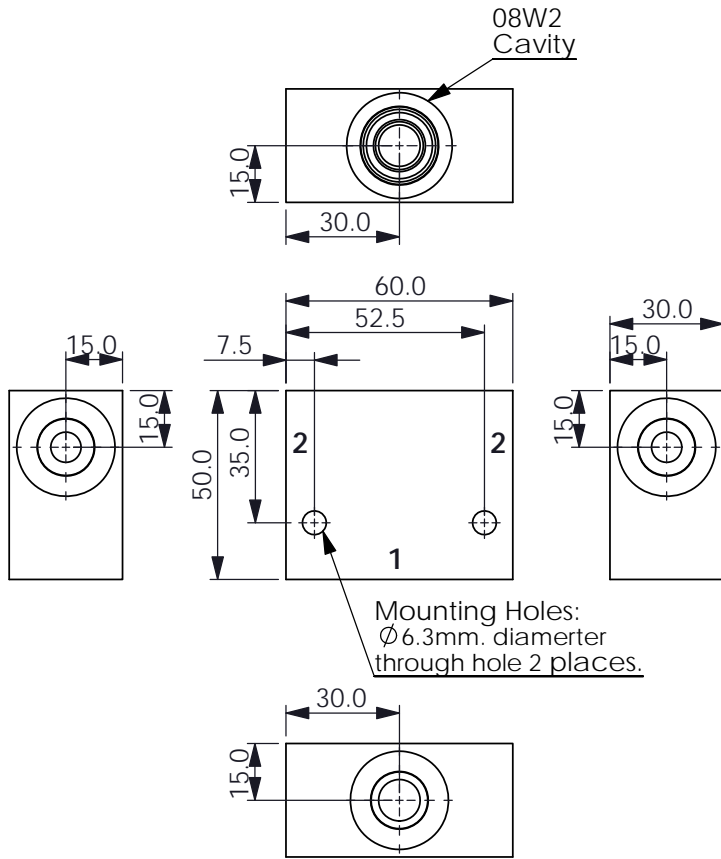
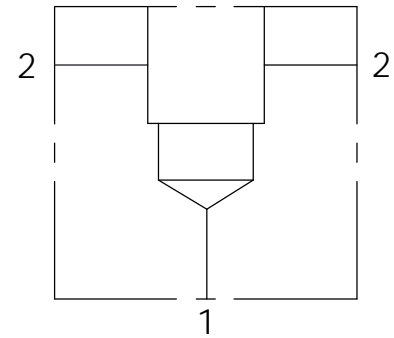
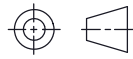


Ordering Code: **ML-08W2-X-Y 02-Z**



UNIT:mm



TECHNICAL DATA

Aluminum Body Pressure Rating: 210 bar
Ductile Iron Body Pressure Rating: 350 bar

Cavity:

Refer to 08W2

* Refer to Winner Cartridge Valves Catalog.

Aluminum	0.22 kg(WITHOUT VALVES)
Ductile Iron	0.55 kg(WITHOUT VALVES)

* If you need the special specification. Please contact us.

PORT SIZE

X	PORT	PORT	
	1	2	
G03	G 3/8"	G 3/8"	

Y BODY MATERIAL

A HIGH-STRENGTH ALUMINUM

Z CARTRIDGE VALVES SELECTION

WITHOUT VALVE

RD0A RD08W20AL(20LPM,80-210bar)

EP01 EP08W2A01N05 , 40LPM,350bar (NORMALLY CLOSED,WITHOUT COIL)

EP02 EP08W2A02N05 , 40LPM,350bar (NORMALLY OPEN,WITHOUT COIL)

COIL MUST BE ORDERED SEPARATELY (REFER TO EC-04W-X-Y-Z)

The selection is only example. Please refer to Winner Cartridge Program and to select the appropriate valves and manifolds assembly in accordance with request function (flow 、 pressure 、 ... etc.)