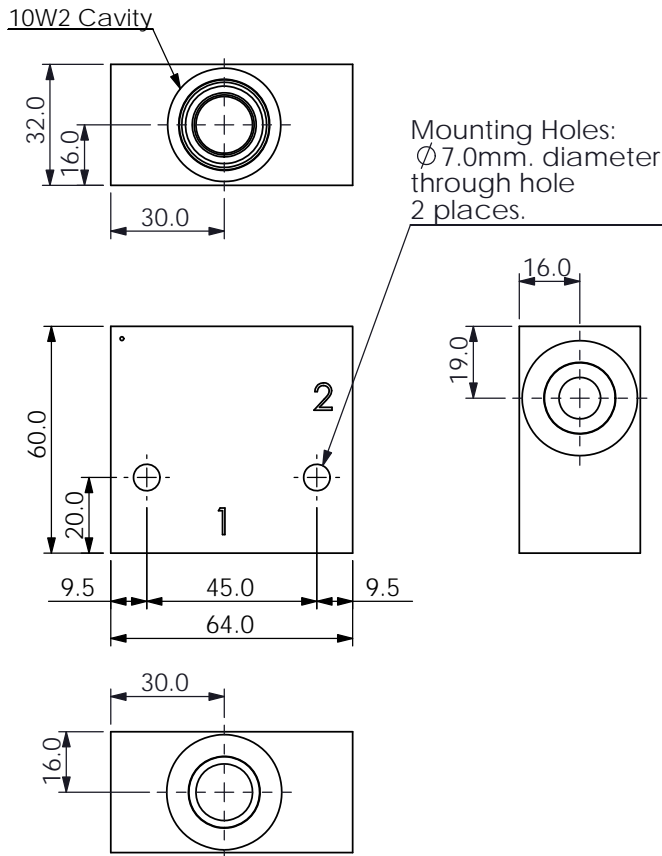
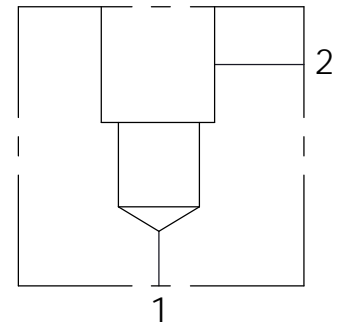
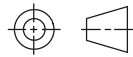


Ordering Code: **ML-10W2-X-Y 01-Z**



UNIT:mm



TECHNICAL DATA

Aluminum Body Pressure Rating: 210 bar
Ductile Iron Body Pressure Rating: 350 bar

Cavity:
Refer to 10W2

* Refer to Winner Cartridge Valves Catalog.

Aluminum	0.26 kg(WITHOUT VALVES)
Ductile Iron	0.73 kg(WITHOUT VALVES)

* If you need the special specification. Please contact us.

X	PORT SIZE		
	PORT	PORT	
	1	2	
G04	G 1/2"	G 1/2"	
P03	3/8"PT	3/8"PT	
P04	1/2"PT	1/2"PT	
S06	SAE 6	SAE 6	

Y BODY MATERIAL

A HIGH-STRENGTH ALUMINUM

S DUCTILE IRON

Z CARTRIDGE VALVES SELECTION

WITHOUT VALVE

RP0A RP10W20AL(95LPM,7-210bar)

CR0A CR10W20AL (60LPM,240bar)

CV03 CV10W2003N (0.3bar)

NV0N NV10W20NL (350bar)

FR18 FR10W2018N (1.8LPM,240bar)

EP01 EP10W2A01N05 , 70LPM,350bar (NORMALLY CLOSED,WITHOUT COIL)

EP02 EP10W2A02N05 , 70LPM,350bar (NORMALLY OPEN,WITHOUT COIL)

COIL MUST BE ORDERED SEPARATELY
(REFER TO EC-04W-X-Y-Z)

The selection is only example. Please refer to Winner Cartridge Program and to select the appropriate valves and manifolds assembly in accordance with request function (flow 、 pressure 、 ... etc.)