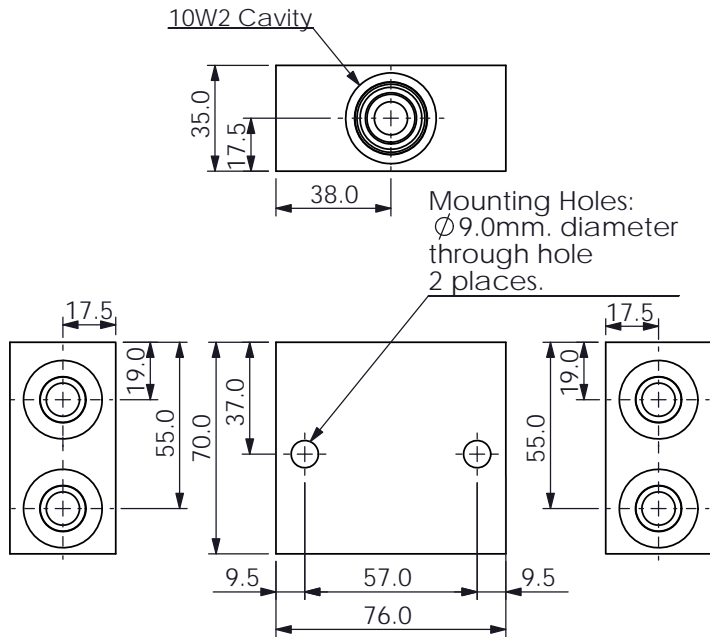
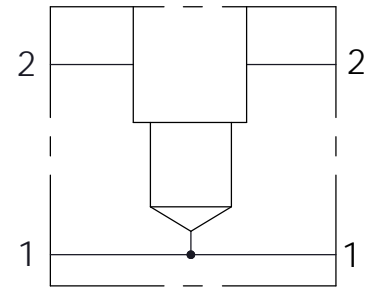
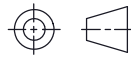


Ordering Code: **ML-10W2-X-Y 02-Z**



UNIT:mm



### TECHNICAL DATA

Aluminum Body Pressure Rating: 210 bar  
Ductile Iron Body Pressure Rating: 350 bar

Cavity:

Refer to 10W2

\* Refer to Winner Cartridge Valves Catalog.

Aluminum	0.45 kg(WITHOUT VALVES)
----------	-------------------------

\* If you need the special specification.  
Please contact us.



Y	BODY MATERIAL	
A	HIGH-STRENGTH ALUMINUM	

X	PORT SIZE		
	PORT	PORT	
	1	2	
G03	G 3/8"	G 3/8"	

Z	CARTRIDGE VALVES SELECTION	
	WITHOUT VALVE	
RP0A	RP10W20AL(95LPM,7-210bar)	
CR0A	CR10W20AL (60LPM,240bar)	
CV03	CV10W2003N (0.3bar)	
NV0N	NV10W20NL (350bar)	
FR18	FR10W2018N (1.8LPM,240bar)	
EP01	EP10W2A01N05 , 70LPM,350bar (NORMALLY CLOSED,WITHOUT COIL)	
EP02	EP10W2A02N05 , 70LPM,350bar (NORMALLY OPEN,WITHOUT COIL)	

COIL MUST BE ORDERED SEPARATELY  
(REFER TO EC-04W-X-Y-Z)

The selection is only example. Please refer to Winner Cartridge Program and to select the appropriate valves and manifolds assembly in accordance with request function (flow 、 pressure 、 ... etc.)