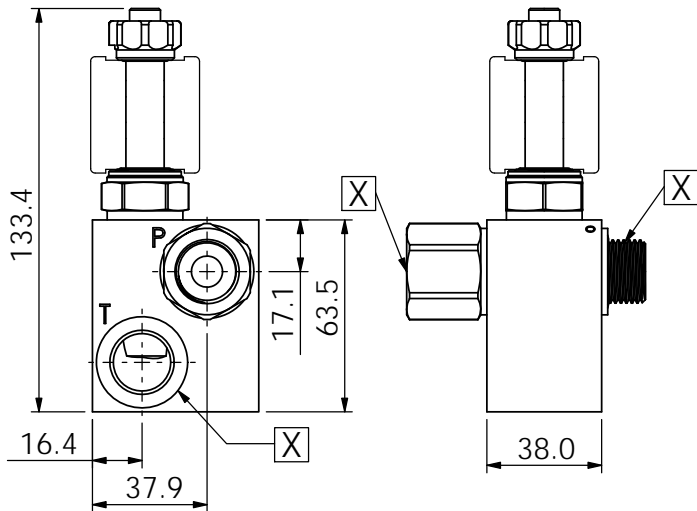
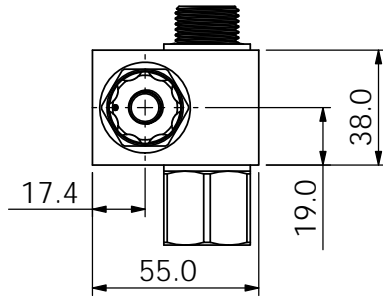
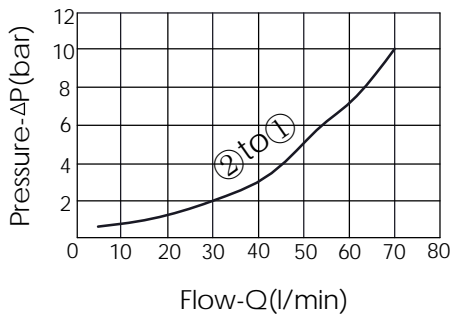


Ordering Code: **ML-10W2-X-Y 51-Z**



UNIT:mm

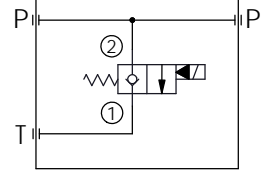
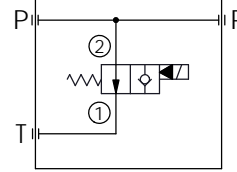


Y	BODY MATERIAL
A	HIGH-STRENGTH ALUMINUM

(Poppet 2-Way Normally -Open Cartridge Style) (Poppet 2-Way Normally -Closed Cartridge Style)

X=EP02(P)

X=EP01(M)



TECHNICAL DATA

Aluminum Body Pressure Rating: 250 bar
Ductile Iron Body Pressure Rating: 350 bar

Rated flow: 70 l/min

Cartridge Valve:
Refer to EP10W-X-Y-Z

* Refer to Winner Cartridge Valves Catalog.

Aluminum	0.44 kg(WITHOUT VALVES) 0.60 kg(INCLUDE VALVES ,WITHOUT COILS)
----------	---

* If you need the special specification. Please contact us.

X	PORT SIZE	
	PORT P	PORT T
G03	G 3/8"	G 3/8"
G04	G 1/2"	G 1/2"

Z	SELECTION FOR SOLENOID VALVES (REFER TO EP10W-X-Y-Z)
	WITHOUT VALVE
EP01	EP10W2A01N05 , 70LPM,350bar (NORMALLY CLOSED,WITHOUT COIL)
EP02	EP10W2A02N05 , 70LPM,350bar (NORMALLY OPEN,WITHOUT COIL)
EP01M	EP10W2A01M05 , 70LPM,350bar(NORMALLY CLOSED WITH KNOB STYLE MANUAL OVERRIDE,WITHOUT COIL)
EP02P	EP10W2A02P05 , 70LPM,350bar(NORMALLY OPEN WITH PUSH STYLE MANUAL OVERRIDE,WITHOUT COIL)

COIL MUST BE ORDERED SEPARATELY (REFER TO EC-04W-X-Y-Z)

The selection is only example. Please refer to Winner Cartridge Program and to select the appropriate valves and manifolds assembly in accordance with request function (flow 、 pressure 、 ... etc.)