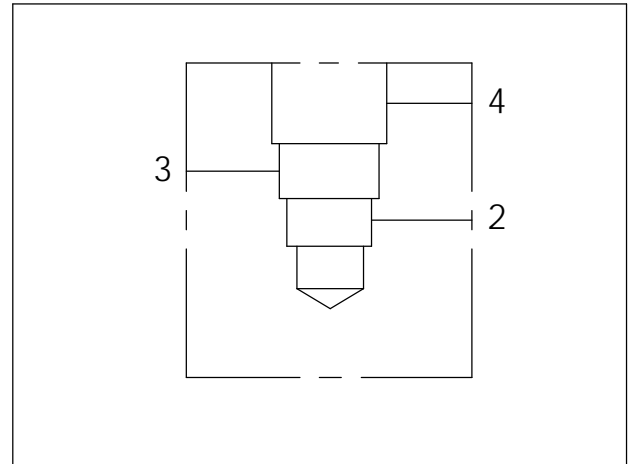
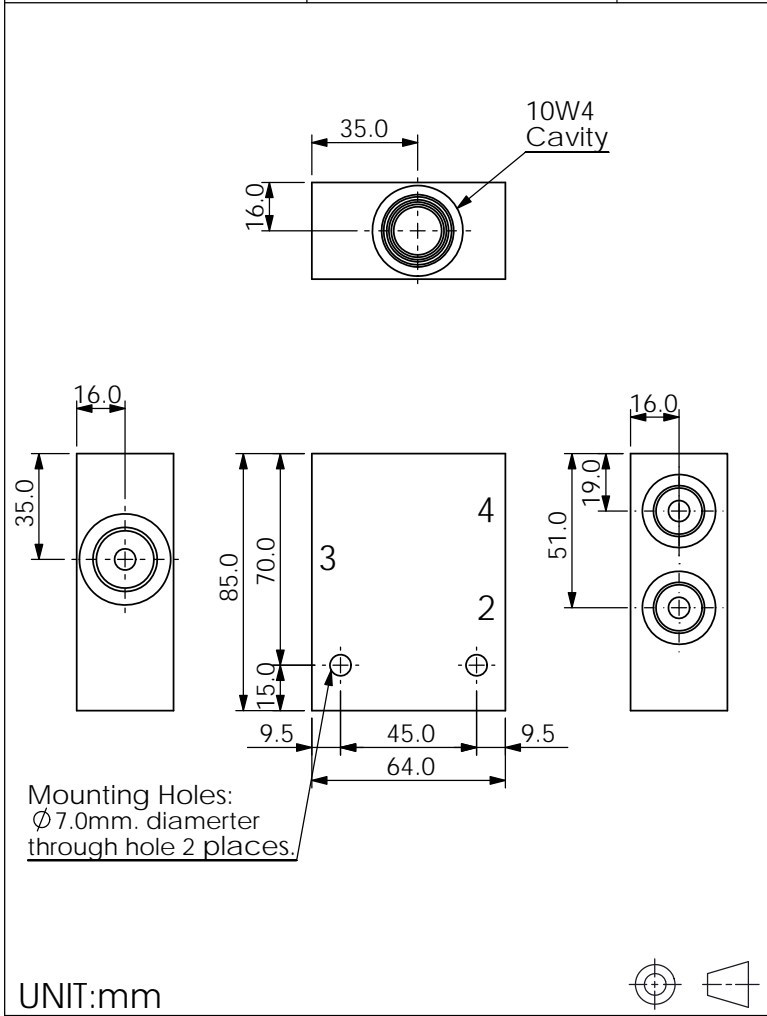


Ordering Code: **ML-10W4-X-Y 11-Z**



TECHNICAL DATA

Aluminum Body Pressure Rating: 210 bar
Ductile Iron Body Pressure Rating: 350 bar

Cavity:

Refer to 10W4

* Refer to Winner Cartridge Valves Catalog.

Aluminum	0.37 kg(WITHOUT VALVES)

* If you need the special specification.
Please contact us.



X	PORT SIZE		
	PORT	PORTS	
	3	2,4	
G03	G 3/8"	G 3/8"	
G04	G 1/2"	G 3/8"	

Y	BODY MATERIAL	
A	HIGH-STRENGTH ALUMINUM	

Z	CARTRIDGE VALVES SELECTION	
	WITHOUT VALVE	
FD4003	FD10W4003N (1.2-3 LPM , Ratio 50:50)	
FD4137	FD10W4137N (15-37 LPM , Ratio 50:50)	
FD4244	FD10W4244N (18-44 LPM ,Ratio 50:50)	

The selection is only example. Please refer to Winner Cartridge Program and to select the appropriate valves and manifolds assembly in accordance with request function (flow 、 pressure 、 ... etc.)