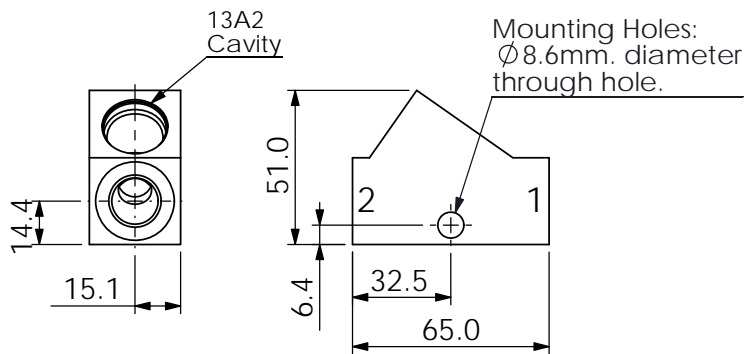
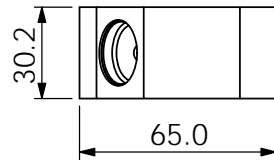
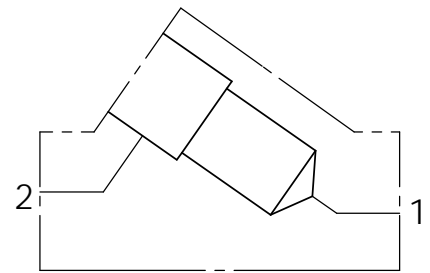
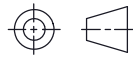


Ordering Code: **ML-13A2-X-Y 41-Z**



UNIT:mm



TECHNICAL DATA

Aluminum Body Pressure Rating: 210 bar
Ductile Iron Body Pressure Rating: 350 bar

Cavity:

Refer to 13A2

* Refer to Winner Cartridge Valves Catalog.

Aluminum	0.14 kg(WITHOUT VALVES)
Ductile Iron	0.42 kg(WITHOUT VALVES)

* If you need the special specification. Please contact us.

PORT SIZE

X	PORT		
	1	2	
G03	G 3/8"	G 3/8"	
S06	SAE 6	SAE 6	

Y BODY MATERIAL

A HIGH-STRENGTH ALUMINUM

S DUCTILE IRON

Z CARTRIDGE VALVES SELECTION

WITHOUT VALVE

CV03 CV13A2003N(80LPM,0.3bar)

NV48 NV13A2048L (350bar)

NCBA NC13A21BAL (0.3bar)

FR0A FR13A20AL (23LPM,350bar)

LS0G LS13A20NG04 (10LPM)

The selection is only example. Please refer to Winner Cartridge Program and to select the appropriate valves and manifolds assembly in accordance with request function (flow 、 pressure 、 ... etc.)