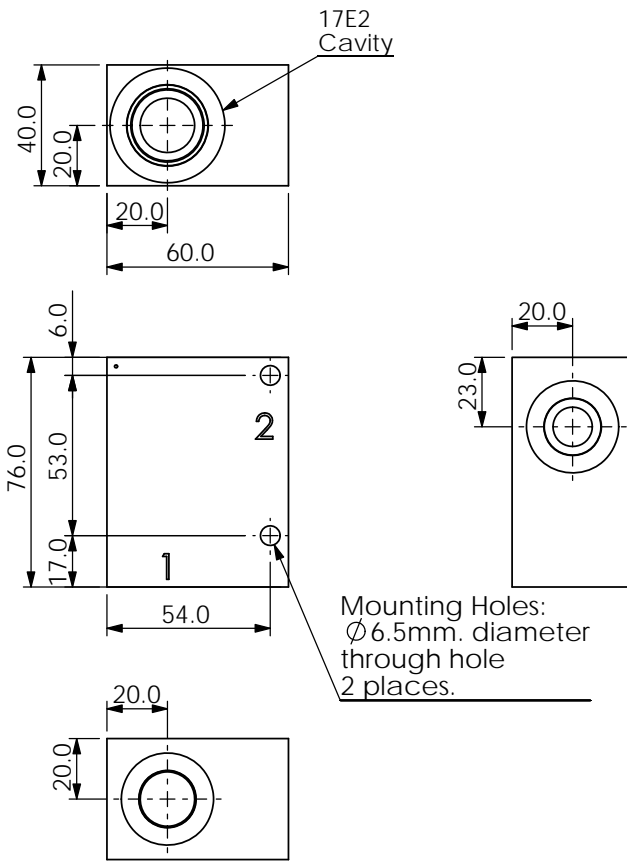
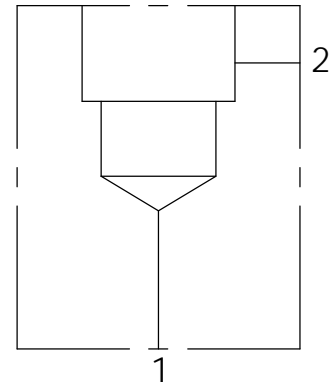
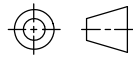


Ordering Code: **ML-17E2-X-Y 01-Z**



UNIT:mm



TECHNICAL DATA

Aluminum Body Pressure Rating: 210 bar
Ductile Iron Body Pressure Rating: 350 bar

Cavity:

Refer to 17E2

* Refer to Winner Cartridge Valves Catalog.

| | |
|--------------|-------------------------|
| Aluminum | 0.38 kg(WITHOUT VALVES) |
| Ductile Iron | 1.15 kg(WITHOUT VALVES) |

* If you need the special specification.
Please contact us.

PORT SIZE

| X | PORT | PORT | |
|------|--------|--------|--|
| | 1 | 2 | |
| G04 | G 1/2" | G 1/2" | |
| G06 | G 3/4" | G 3/4" | |
| G06C | G 3/4" | G 1/2" | |
| P03 | 3/8"PT | 3/8"PT | |
| P04 | 1/2"PT | 1/2"PT | |

Y BODY MATERIAL

| | | |
|---|------------------------|--|
| A | HIGH-STRENGTH ALUMINUM | |
| S | DUCTILE IRON | |

Z CARTRIDGE VALVES SELECTION

| | | |
|------|---|--|
| | WITHOUT VALVE | |
| CV03 | CV17E2203N(60LPM,0.3bar) | |
| NV0N | NV17E20NL(350bar) | |
| EP01 | EP17E2A01N05 , 70LPM,350bar (NORMALLY CLOSED,WITHOUT COIL) | |
| EP02 | EP17E2A02N05 , 70LPM,350bar (NORMALLY OPEN,WITHOUT COIL) | |

COIL MUST BE ORDERED SEPARATELY
(REFER TO EC-04W-X-Y-Z)

The selection is only example. Please refer to Winner Cartridge Program and to select the appropriate valves and manifolds assembly in accordance with request function (flow 、 pressure 、 ... etc.)