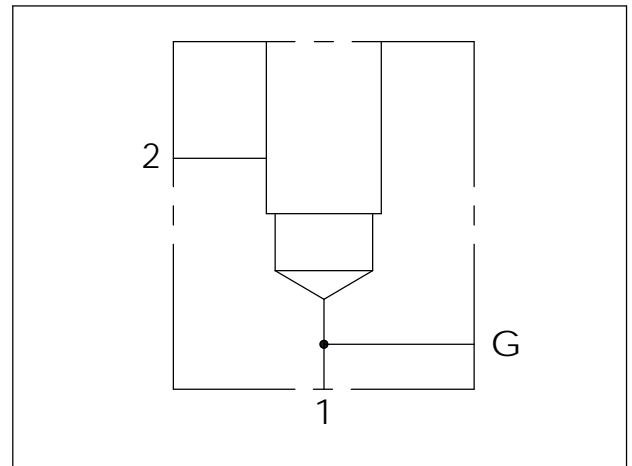
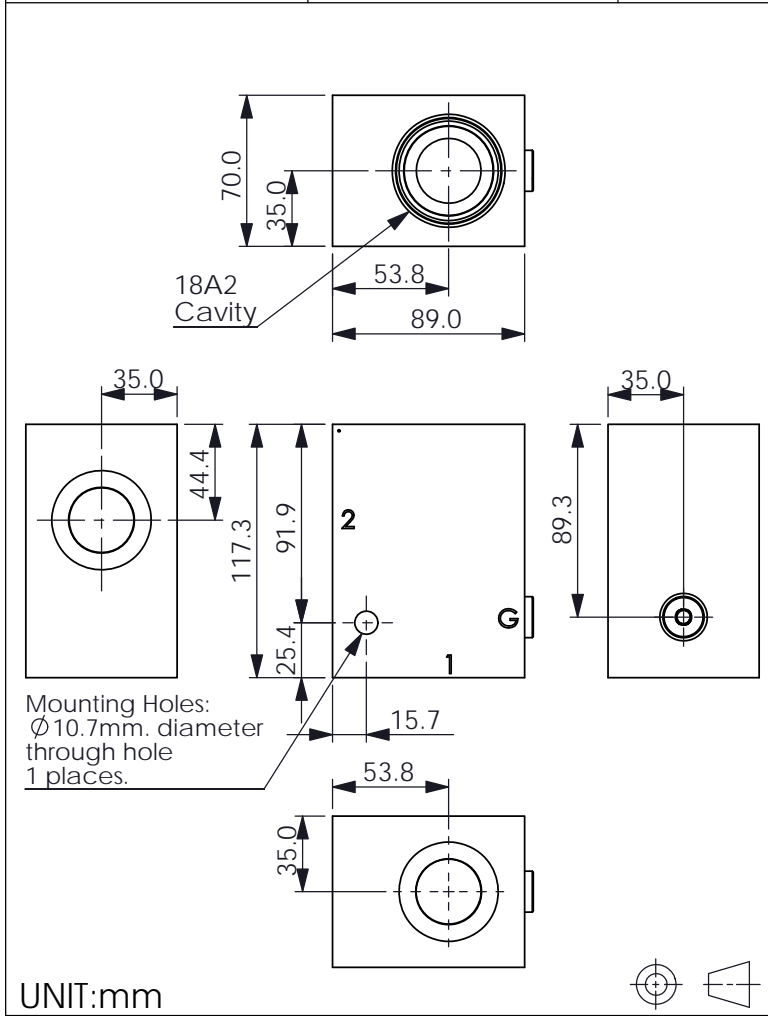


Ordering Code: **ML-18A2-X-Y 01-Z**



TECHNICAL DATA

Aluminum Body Pressure Rating: 210 bar
 Ductile Iron Body Pressure Rating: 350 bar

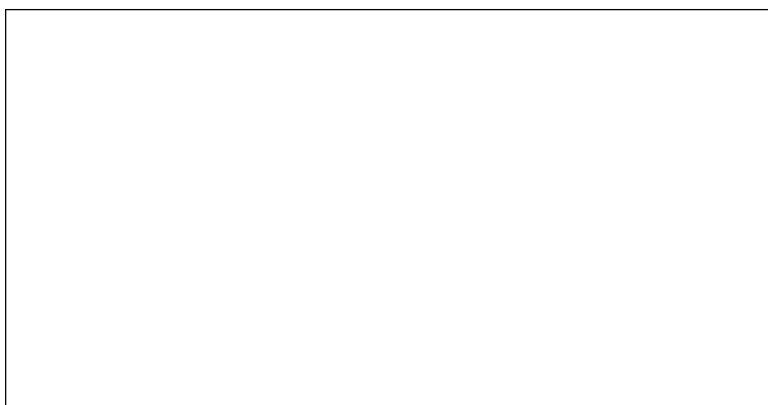
Cavity:

Refer to 18A2

* Refer to Winner Cartridge Valves Catalog.

Aluminum	1.45 kg(WITHOUT VALVES)
Ductile Iron	4.1 kg(WITHOUT VALVES)

* If you need the special specification. Please contact us.



X	PORT SIZE		
	PORTS	PORT	
	1,2	G	
G08G	G 1"	G 1/4"	
G10G	G 1-1/4"	G 1/4"	
S16G	SAE 16	1/4"NPT	

Y	BODY MATERIAL	
A	HIGH-STRENGTH ALUMINUM	
S	DUCTILE IRON	

Z	CARTRIDGE VALVES SELECTION	
	WITHOUT VALVE	
RP0A	RP18A20AL (760LPM,7-210bar)	
CV03	CV18A2003N (640LPM,0.3bar)	
FR0A	FR18A20AL (1.0 to 200LPM)	

The selection is only example. Please refer to Winner Cartridge Program and to select the appropriate valves and manifolds assembly in accordance with request function (flow 、 pressure 、 ... etc.)