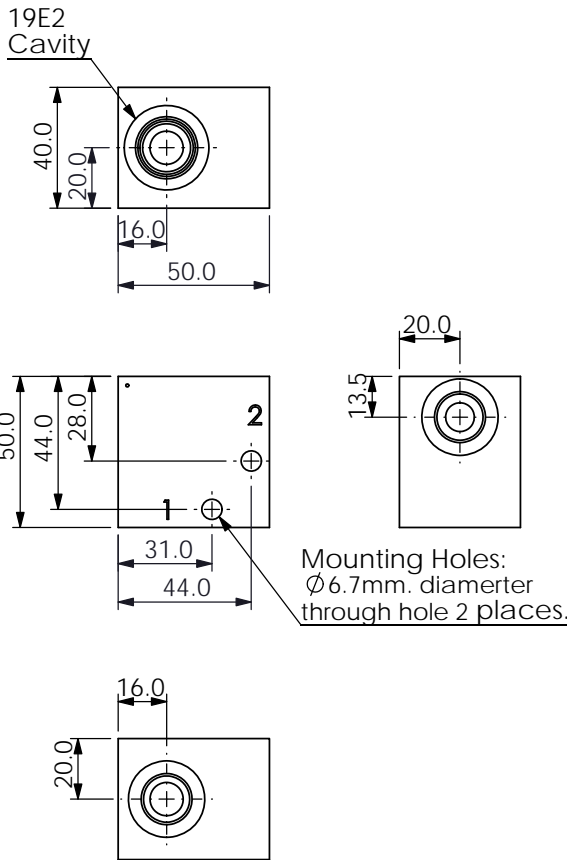
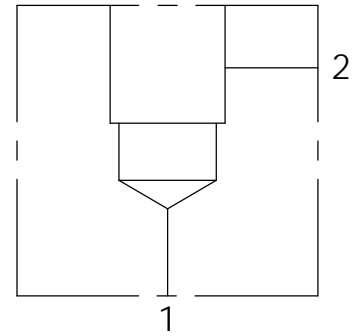
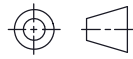


Ordering Code: **ML-19E2-X-Y 01-Z**



UNIT:mm



TECHNICAL DATA

Aluminum Body Pressure Rating: 210 bar
Ductile Iron Body Pressure Rating: 350 bar

Cavity:

Refer to 19E2

* Refer to Winner Cartridge Valves Catalog.

Aluminum	0.22 kg(WITHOUT VALVES)
----------	-------------------------

* If you need the special specification. Please contact us.

PORT SIZE

X	PORT	PORT	
	1	2	
G03	G 3/8"	G 3/8"	

Z CARTRIDGE VALVES SELECTION

WITHOUT VALVE		
EP11	EP19E2A11N05, 40LPM,350bar (NORMALLY CLOSED,WITHOUT COIL)	
EP12	EP19E2A12N05, 40LPM,350bar (NORMALLY OPEN,WITHOUT COIL)	
EP11M	EP19E2A11M05, 40LPM,350bar(NORMALLY CLOSED WITH KNOB STYLE MANUAL OVERRIDE,WITHOUT COIL)	
EP12P	EP19E2A12P05, 40LPM,350bar(NORMALLY OPEN WITH PUSH STYLE MANUAL OVERRIDE, WITHOUT COIL)	

COIL MUST BE ORDERED SEPARATELY
(REFER TO EC-04W-X-Y-Z)

The selection is only example. Please refer to Winner Cartridge Program and to select the appropriate valves and manifolds assembly in accordance with request function (flow 、 pressure 、 ... etc.)

Y BODY MATERIAL

A HIGH-STRENGTH ALUMINUM