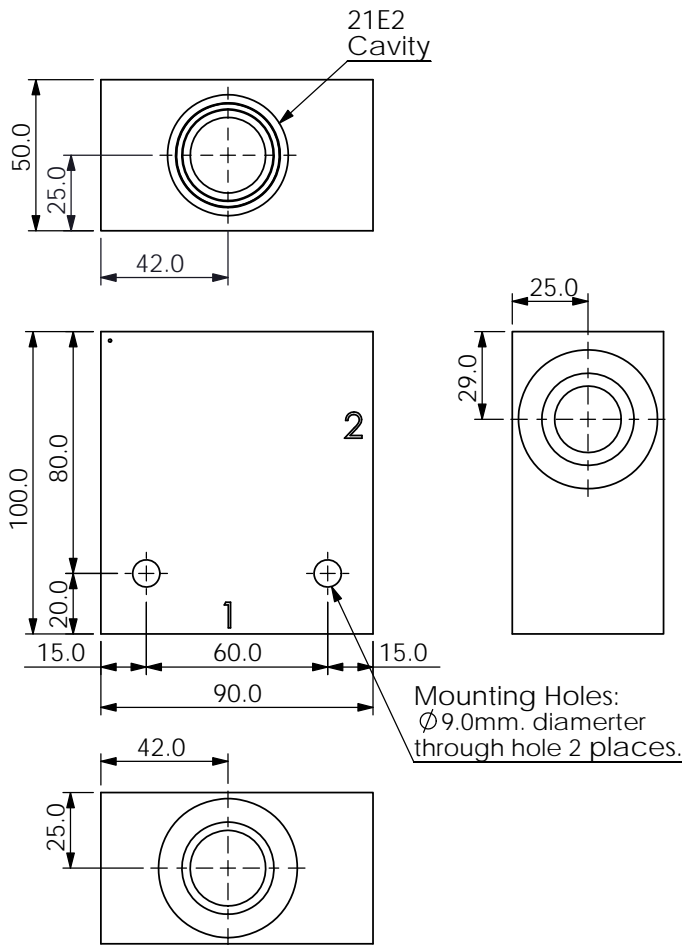
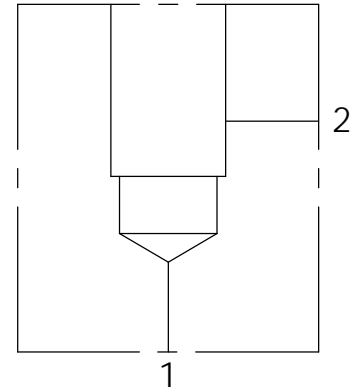
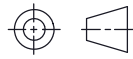


Ordering Code: **ML-21E2-X-Y 01-Z**



UNIT:mm



### TECHNICAL DATA

Aluminum Body Pressure Rating: 210 bar  
Ductile Iron Body Pressure Rating: 350 bar

Cavity:

Refer to 21E2

\* Refer to Winner Cartridge Valves Catalog.

Aluminum	0.95 kg(WITHOUT VALVES)
----------	-------------------------

Ductile Iron	2.65 kg(WITHOUT VALVES)
--------------	-------------------------

\* If you need the special specification.  
Please contact us.

### PORT SIZE

X	PORT		
	1	2	
G08	G 1"	G 1"	

### Z CARTRIDGE VALVES SELECTION

WITHOUT VALVE		
CV10	CV21E2210N(100LPM,1.0bar)	
NV0N	NV21E20NL(350bar)	
EP01	EP21E2A01N05 , 150LPM,350bar (NORMALLY CLOSED,WITHOUT COIL)	
EP02	EP21E2A02N05 , 150LPM,350bar (NORMALLY OPEN,WITHOUT COIL)	

COIL MUST BE ORDERED SEPARATELY  
(REFER TO EC-04W-X-Y-Z)

The selection is only example. Please refer to Winner Cartridge Program and to select the appropriate valves and manifolds assembly in accordance with request function (flow 、 pressure 、 ... etc.)

Y	BODY MATERIAL	
A	HIGH-STRENGTH ALUMINUM	
S	DUCTILE IRON	