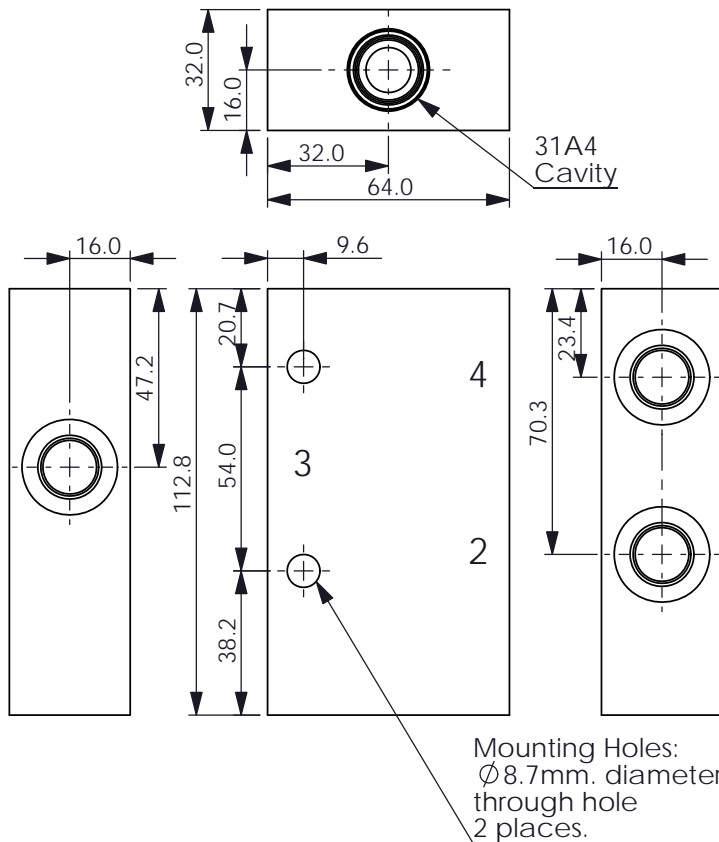
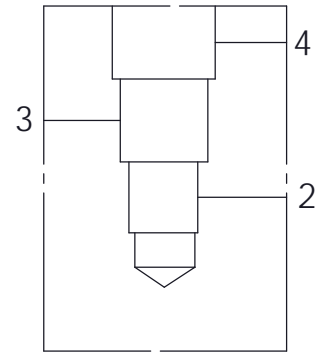


Ordering Code: **ML-31A4-X-Y 11-Z**



UNIT:mm



### TECHNICAL DATA

Aluminum Body Pressure Rating: 210 bar  
Ductile Iron Body Pressure Rating: 350 bar

Cavity:

Refer to 31A4

\* Refer to Winner Cartridge Valves Catalog.

Aluminum	0.55 kg(WITHOUT VALVES)
Ductile Iron	1.45 kg(WITHOUT VALVES)

\* If you need the special specification. Please contact us.

### PORT SIZE

X	PORT	PORTS	
	3	2,4	
G03	G 3/8"	G 3/8"	
G04	G 1/2"	G 1/2"	
G04A	G 1/2"	G 3/8"	

### Y BODY MATERIAL

**A** HIGH-STRENGTH ALUMINUM

**S** DUCTILE IRON

### Z CARTRIDGE VALVES SELECTION

WITHOUT VALVE

**FD4206** FD31A4206A(1~6LPM,50%-50%)

**FD4212** FD31A4212A(2~12LPM,50%-50%)

The selection is only example. Please refer to Winner Cartridge Program and to select the appropriate valves and manifolds assembly in accordance with request function (flow 、 pressure 、 ... etc.)