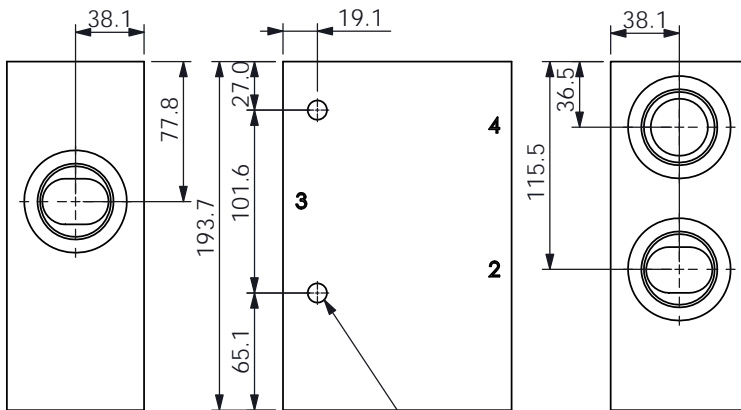
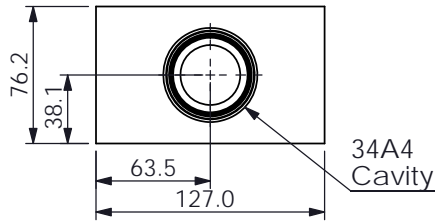
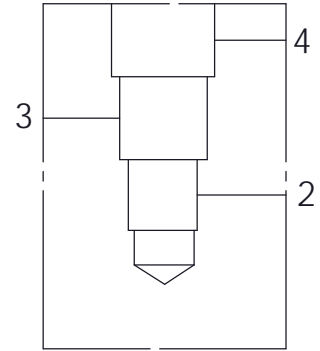
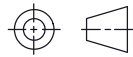


Ordering Code: **ML-34A4-X-Y 11-Z**



Mounting Holes:  
Ø10.7mm. diameter  
through hole  
2 places.

UNIT:mm



### TECHNICAL DATA

Aluminum Body Pressure Rating: 210 bar  
Ductile Iron Body Pressure Rating: 350 bar

Cavity:

Refer to 34A4

\* Refer to Winner Cartridge Valves Catalog.

Aluminum	4.0 kg(WITHOUT VALVES)
Ductile Iron	11.0 kg(WITHOUT VALVES)

\* If you need the special specification.  
Please contact us.

### PORT SIZE

X	PORT	PORTS	
	3	2,4	
G10	G 1-1/4"	G 1-1/4"	

### Y BODY MATERIAL

**A** HIGH-STRENGTH ALUMINUM

**S** DUCTILE IRON

### Z CARTRIDGE VALVES SELECTION

WITHOUT VALVE