

ISO 03 SANDWICH MANIFOLD

Ordering Code: **MH03CDC-X-Y-Z03**

Stack Height : 63.0mm

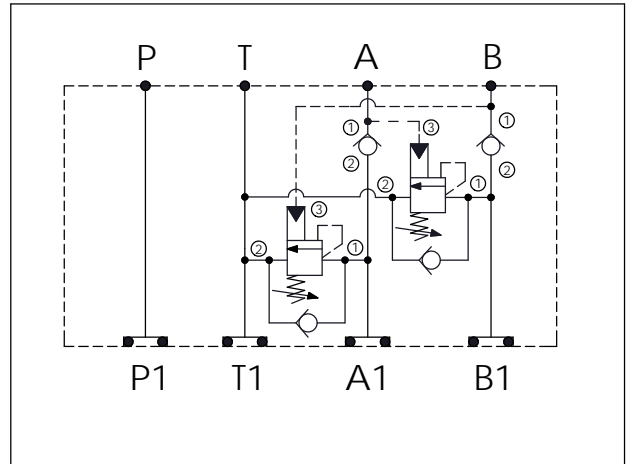
Dimensions: 70.0, 57.2, 70.0, 197.2, 44.5, 63.0

Ports: P, T, A, B, P1, T1, A1, B1

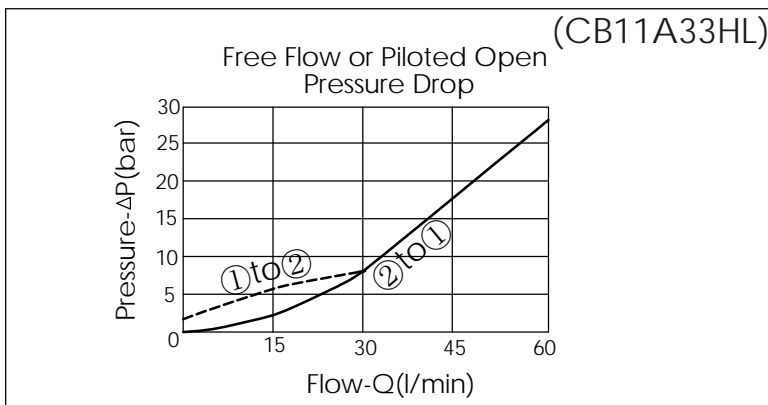
Components: CV11A, CB11A

O-RING CODE NO. 4KAA012AA001

UNIT:mm



TECHNICAL DATA	
Aluminum Body Pressure Rating:	250 bar
Ductile Iron Body Pressure Rating:	350 bar
Rated flow:	40 l/min
Cartridge Valve: Refer to CV11A2020N CB11A-X-Y-Z	
* Refer to Winner Cartridge Valves Catalog.	
Aluminum	0.75 kg(WITHOUT VALVES) 1.35 kg(INCLUDE VALVES)



* If you need the special specification. Please contact us.

X	SELECTION FOR A PORT CONTROL	
11A3	CAVITY ONLY(WITHOUT VALVE)	
CB3H	CB11A33HL(60LPM , 70-280bar)	

Y	SELECTION FOR B PORT CONTROL	
11A3	CAVITY ONLY(WITHOUT VALVE)	
CB3H	CB11A33HL (60LPM , 70-280bar)	

Z	BODY MATERIAL	
A	HIGH-STRENGTH ALUMINUM	