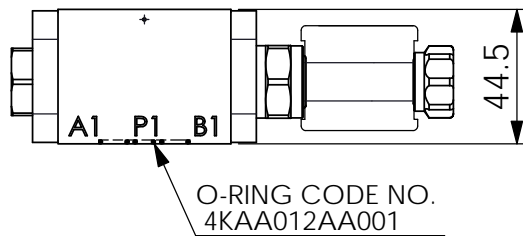
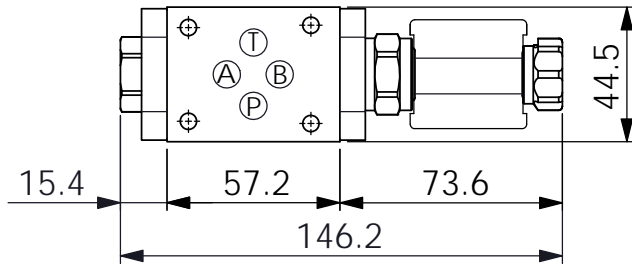
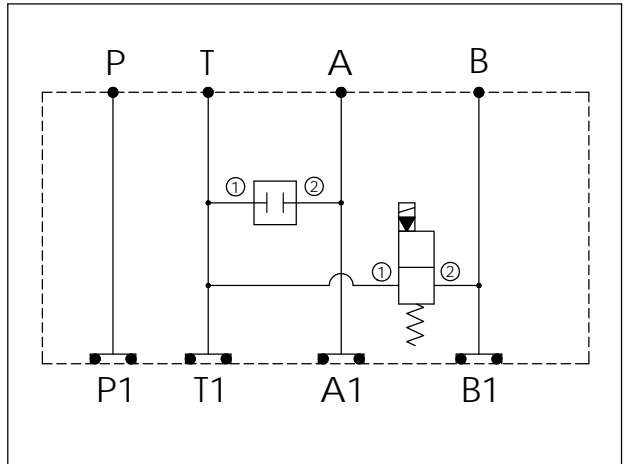
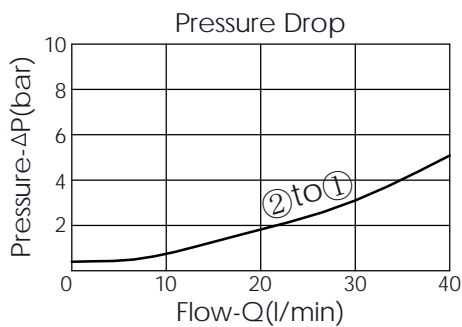
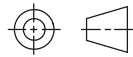


Ordering Code: MH03EDT-X-Y-Z01
Stack Height : 44.5mm



UNIT:mm



TECHNICAL DATA

Aluminum Body Pressure Rating: 250 bar
 Ductile Iron Body Pressure Rating: 350 bar

Rated flow: 40 l/min

Cartridge Valve:
 Refer to CP08W-Y-Z
 EP08W-X-Y-Z

* Refer to Winner Cartridge Valves Catalog.

Aluminum	0.33 kg(WITHOUT VALVES) 0.52 kg(INCLUDE VALVES ,WITHOUT COIL)
Ductile Iron	0.94 kg(WITHOUT VALVES) 1.13 kg(INCLUDE VALVES ,WITHOUT COIL)

* If you need the special specification. Please contact us.

Y	SELECTION FOR B PORT CONTROL (REFER TO EP08W-X-Y-Z)
08W2	CAVITY ONLY(WITHOUT VALVE)
EP01	EP08W2A01N05 , 40LPM,350bar (NORMALLY CLOSED,WITHOUT COIL)
EP02	EP08W2A02N05 , 40LPM,350bar (NORMALLY OPEN,WITHOUT COIL)
EP01M	EP08W2A01M05 , 40LPM,350bar(NORMALLY CLOSED WITH KNOB STYLE MANUAL OVERRIDE,WITHOUT COIL)
EP02P	EP08W2A02P05 , 40LPM,350bar(NORMALLY OPEN WITH PUSH STYLE MANUAL OVERRIDE,WITHOUT COIL)

COIL MUST BE ORDERED SEPARATELY
(REFER TO EC-04W-X-Y-Z)

X	SELECTION FOR A PORT CONTROL
08W2	CAVITY ONLY(WITHOUT VALVE)
CP00	CP08W2H00NN(3/4"-16UNF-2B , All Ports Blocked)

Z	BODY MATERIAL
A	HIGH-STRENGTH ALUMINUM
S	DUCTILE IRON