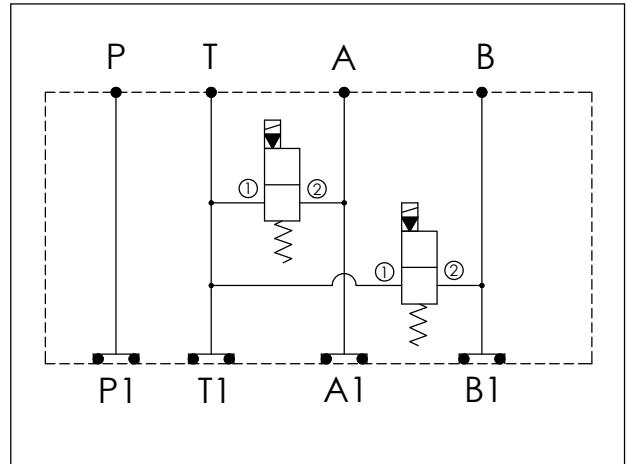


Ordering Code: **MH03EDT-X-Y-Z02**

Stack Height : 40.0mm

UNIT:mm



### TECHNICAL DATA

Aluminum Body Pressure Rating: 250 bar  
 Ductile Iron Body Pressure Rating: 350 bar

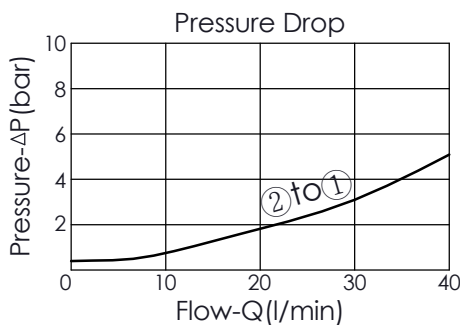
Rated flow: 40 l/min

Cartridge Valve:  
 Refer to EP08W-X-Y-Z  
 EP08W-X-Y-Z

\* Refer to Winner Cartridge Valves Catalog.

Aluminum	0.29 kg(WITHOUT VALVES)
	0.56 kg(INCLUDE VALVES ,WITHOUT COIL)

\* If you need the special specification. Please contact us.



### X SELECTION FOR A PORT CONTROL (REFER TO EP08W-X-Y-Z)

<b>08W2</b>	CAVITY ONLY(WITHOUT VALVE)
<b>EP01</b>	EP08W2A01N05 , 40LPM,350bar (NORMALLY CLOSED,WITHOUT COIL)
<b>EP02</b>	EP08W2A02N05 , 40LPM,350bar (NORMALLY OPEN,WITHOUT COIL)
<b>EP01M</b>	EP08W2A01M05 , 40LPM,350bar(NORMALLY CLOSED WITH KNOB STYLE MANUAL OVERRIDE,WITHOUT COIL)
<b>EP02P</b>	EP08W2A02P05 , 40LPM,350bar(NORMALLY OPEN WITH PUSH STYLE MANUAL OVERRIDE,WITHOUT COIL)

COIL MUST BE ORDERED SEPARATELY (REFER TO EC-04W-X-Y-Z)

### Y SELECTION FOR B PORT CONTROL (REFER TO EP08W-X-Y-Z)

<b>08W2</b>	CAVITY ONLY(WITHOUT VALVE)
<b>EP01</b>	EP08W2A01N05 , 40LPM,350bar (NORMALLY CLOSED,WITHOUT COIL)
<b>EP02</b>	EP08W2A02N05 , 40LPM,350bar (NORMALLY OPEN,WITHOUT COIL)
<b>EP01M</b>	EP08W2A01M05 , 40LPM,350bar(NORMALLY CLOSED WITH KNOB STYLE MANUAL OVERRIDE,WITHOUT COIL)
<b>EP02P</b>	EP08W2A02P05 , 40LPM,350bar(NORMALLY OPEN WITH PUSH STYLE MANUAL OVERRIDE,WITHOUT COIL)

COIL MUST BE ORDERED SEPARATELY (REFER TO EC-04W-X-Y-Z)

### Z BODY MATERIAL

**A HIGH-STRENGTH ALUMINUM**