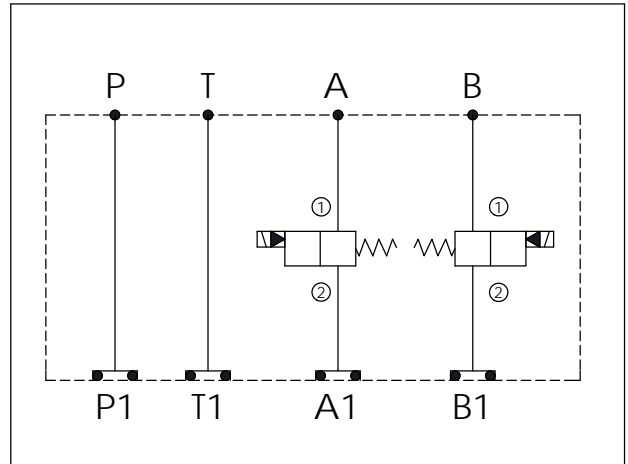


## ISO 05 SANDWICH MANIFOLD

Ordering Code:	<b>MH05EDW-X-Y-Z01</b>
Stack Height :	49.5mm

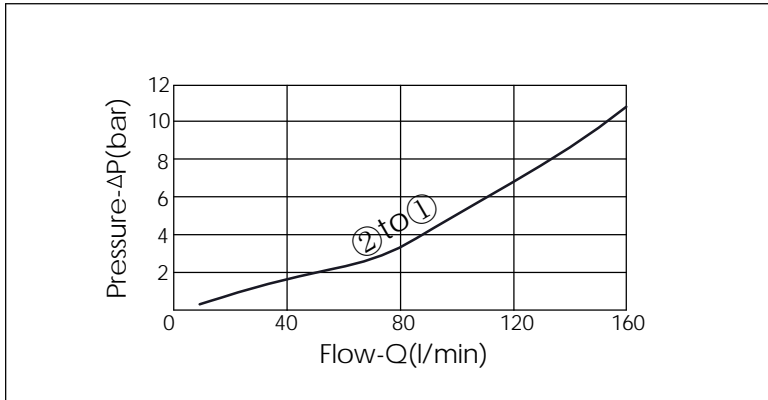
  

UNIT:mm



TECHNICAL DATA	
Aluminum Body Pressure Rating:	250 bar
Ductile Iron Body Pressure Rating:	350 bar
Rated flow:	80 l/min
Cartridge Valve:	Refer to EP12W-X-Y-Z EP12W-X-Y-Z
* Refer to Winner Cartridge Valves Catalog.	
Aluminum	0.88 kg(WITHOUT VALVES) 1.35 kg(INCLUDE VALVES WITHOUT COIL)
DUCTILE IRON	2.58 kg(WITHOUT VALVES) 3.05 kg(INCLUDE VALVES WITHOUT COIL)

\* If you need the special specification. Please contact us.



Y	SELECTION FOR B PORT CONTROL (REFER TO EP12W-X-Y-Z)	
<b>12W2</b>	CAVITY ONLY(WITHOUT VALVE)	
<b>EP01</b>	EP12W2A01N05 , 150LPM,350bar (NORMALLY CLOSED,WITHOUT COIL)	
<b>EP02</b>	EP12W2A02N05 , 150LPM,350bar (NORMALLY OPEN,WITHOUT COIL)	
<b>EP01M</b>	EP12W2A01M05 , 150LPM,350bar(NORMALLY CLOSED WITH KNOB STYLE MANUAL OVERRIDE,WITHOUT COIL)	
<b>EP02P</b>	EP12W2A02P05 , 150LPM,350bar(NORMALLY OPEN WITH PUSH STYLE MANUAL OVERRIDE,WITHOUT COIL)	
COIL MUST BE ORDERED SEPARATELY (REFER TO EC-04W-X-Y-Z)		

X	SELECTION FOR A PORT CONTROL (REFER TO EP12W-X-Y-Z)	
<b>12W2</b>	CAVITY ONLY(WITHOUT VALVE)	
<b>EP01</b>	EP12W2A01N05 , 150LPM,350bar (NORMALLY CLOSED,WITHOUT COIL)	
<b>EP02</b>	EP12W2A02N05 , 150LPM,350bar (NORMALLY OPEN,WITHOUT COIL)	
<b>EP01M</b>	EP12W2A01M05 , 150LPM,350bar(NORMALLY CLOSED WITH KNOB STYLE MANUAL OVERRIDE,WITHOUT COIL)	
<b>EP02P</b>	EP12W2A02P05 , 150LPM,350bar(NORMALLY OPEN WITH PUSH STYLE MANUAL OVERRIDE,WITHOUT COIL)	
COIL MUST BE ORDERED SEPARATELY (REFER TO EC-04W-X-Y-Z)		

Z	BODY MATERIAL	
<b>A</b>	HIGH-STRENGTH ALUMINUM	
<b>S</b>	DUCTILE IRON	