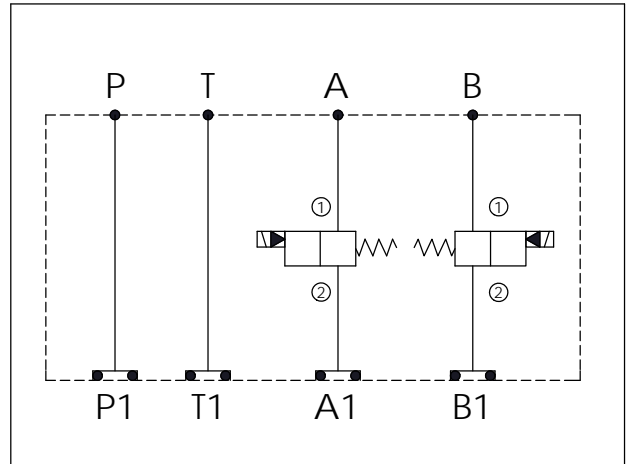
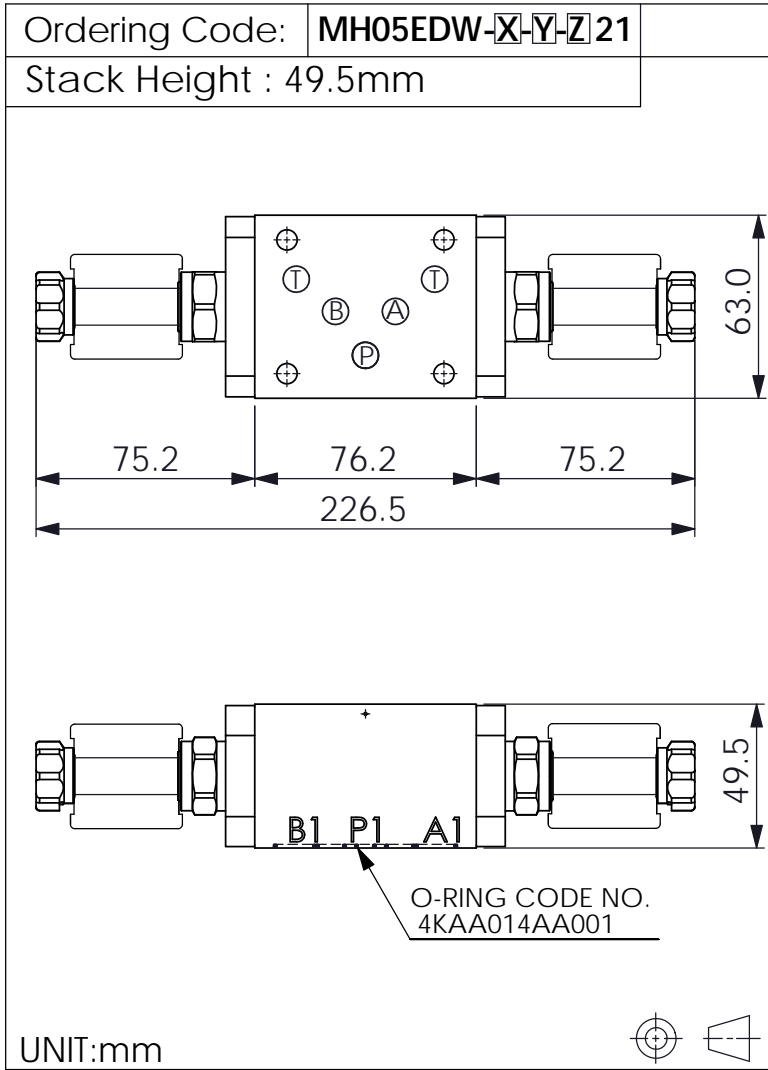
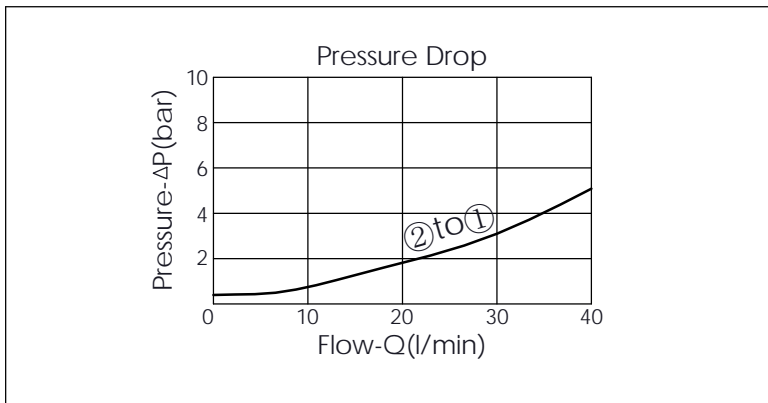


## ISO 05 SANDWICH MANIFOLD



<b>TECHNICAL DATA</b>	
Aluminum Body Pressure Rating:	250 bar
Ductile Iron Body Pressure Rating:	350 bar
Rated flow:	40 l/min
Cartridge Valve:	Refer to EP08W-X-Y-Z EP08W-X-Y-Z
* Refer to Winner Cartridge Valves Catalog.	
Aluminum	0.7 kg(WITHOUT VALVES) 1.0 kg(INCLUDE VALVES , WITHOUT COIL)

\* If you need the special specification. Please contact us.



<b>X</b>	<b>SELECTION FOR A PORT CONTROL (REFER TO EP08W-X-Y-Z)</b>	
<b>08W2</b>	CAVITY ONLY(WITHOUT VALVE)	
<b>EP01</b>	EP08W2A01N05 , 40LPM,350bar (NORMALLY CLOSED,WITHOUT COIL)	
<b>EP02</b>	EP08W2A02N05 , 40LPM,350bar (NORMALLY OPEN,WITHOUT COIL)	
<b>EP01M</b>	EP08W2A01M05 , 40LPM,350bar(NORMALLY CLOSED WITH KNOB STYLE MANUAL OVERRIDE,WITHOUT COIL)	
<b>EP02P</b>	EP08W2A02P05 , 40LPM,350bar(NORMALLY OPEN WITH PUSH STYLE MANUAL OVERRIDE,WITHOUT COIL)	

COIL MUST BE ORDERED SEPARATELY  
(REFER TO EC-04W-X-Y-Z)

<b>Y</b>	<b>SELECTION FOR B PORT CONTROL (REFER TO EP08W-X-Y-Z)</b>	
<b>08W2</b>	CAVITY ONLY(WITHOUT VALVE)	
<b>EP01</b>	EP08W2A01N05 , 40LPM,350bar (NORMALLY CLOSED,WITHOUT COIL)	
<b>EP02</b>	EP08W2A02N05 , 40LPM,350bar (NORMALLY OPEN,WITHOUT COIL)	
<b>EP01M</b>	EP08W2A01M05 , 40LPM,350bar(NORMALLY CLOSED WITH KNOB STYLE MANUAL OVERRIDE,WITHOUT COIL)	
<b>EP02P</b>	EP08W2A02P05 , 40LPM,350bar(NORMALLY OPEN WITH PUSH STYLE MANUAL OVERRIDE,WITHOUT COIL)	

COIL MUST BE ORDERED SEPARATELY  
(REFER TO EC-04W-X-Y-Z)

<b>Z</b>	<b>BODY MATERIAL</b>	
<b>A</b>	HIGH-STRENGTH ALUMINUM	