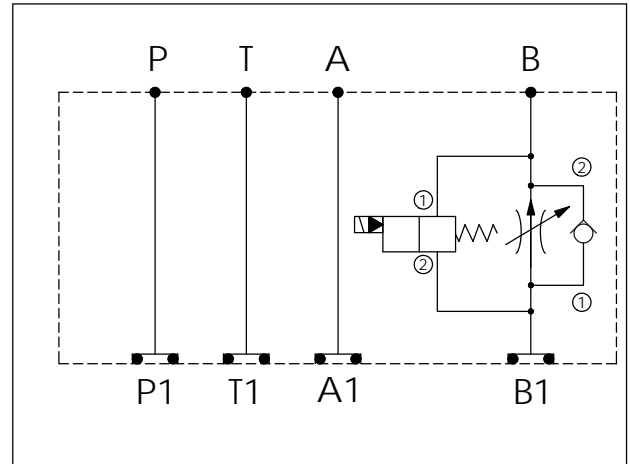


Ordering Code: **MH03FBE-X-Y-Z 01**

Stack Height : 44.5mm

UNIT:mm



TECHNICAL DATA

Aluminum Body Pressure Rating: 250 bar
 Ductile Iron Body Pressure Rating: 350 bar

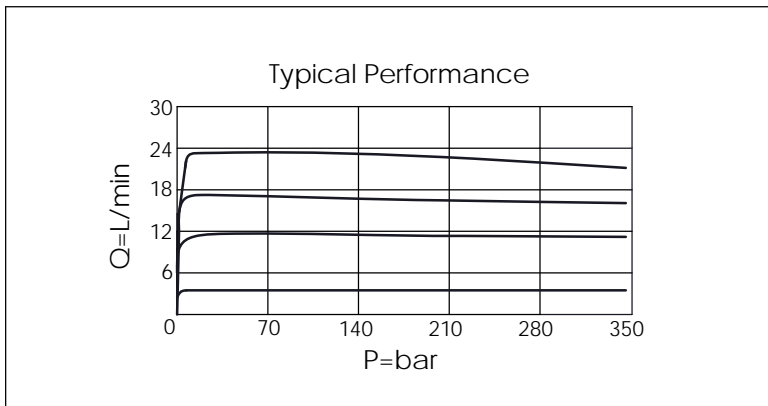
Rated flow: 23 l/min
 (Pressure Compensated)

Cartridge Valve:
 Refer to FR13A-X-Y-Z
 EP08W-X-Y-Z

* Refer to Winner Cartridge Valves Catalog.

Aluminum	0.35 kg(WITHOUT VALVES) 0.58 kg(INCLUDE VALVES, WITHOUT COIL)
----------	--

* If you need the special specification. Please contact us.



X	SELECTION FOR FLOW CONTROL	
13A2	CAVITY ONLY(WITHOUT VALVE)	
FR0A	FR13A20AL(23LPM,350bar)	

Y	SELECTION FOR SOLENOID VALVES (REFER TO EP08W-X-Y-Z)	
08W2	CAVITY ONLY(WITHOUT VALVE)	
EP01	EP08W2A01N05 , 40LPM,350bar (NORMALLY CLOSED,WITHOUT COIL)	
EP02	EP08W2A02N05 , 40LPM,350bar (NORMALLY OPEN,WITHOUT COIL)	
EP01M	EP08W2A01M05 , 40LPM,350bar(NORMALLY CLOSED WITH KNOB STYLE MANUAL OVERRIDE,WITHOUT COIL)	
EP02P	EP08W2A02P05 , 40LPM,350bar(NORMALLY OPEN WITH PUSH STYLE MANUAL OVERRIDE,WITHOUT COIL)	

COIL MUST BE ORDERED SEPARATELY
(REFER TO EC-04W-X-Y-Z)

Z	BODY MATERIAL	
A	HIGH-STRENGTH ALUMINUM	