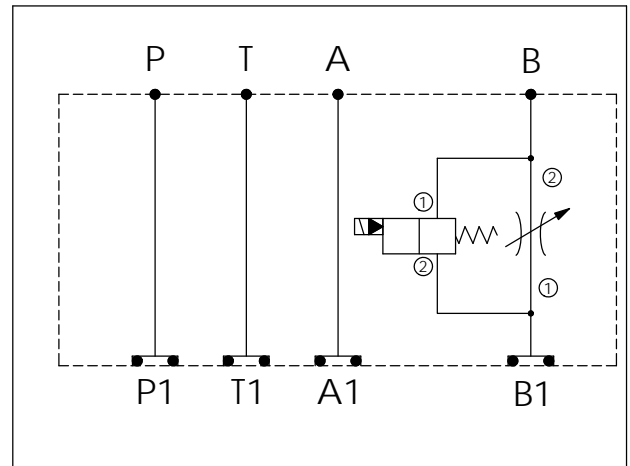
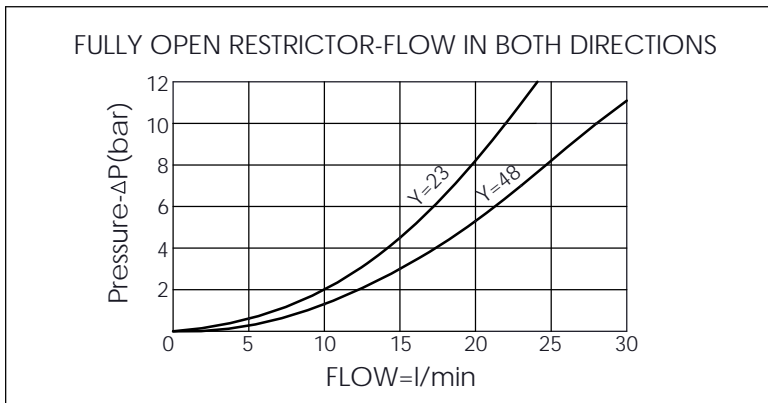


Ordering Code:	MH03FBE-X-Y-Z 01
Stack Height :	44.5mm

UNIT:mm



TECHNICAL DATA	
Aluminum Body Pressure Rating:	250 bar
Ductile Iron Body Pressure Rating:	350 bar
Rated flow:	40 l/min
Cartridge Valve:	Refer to NV13A-X-Y-Z EP08W-X-Y-Z
* Refer to Winner Cartridge Valves Catalog.	
Aluminum	0.35 kg(WITHOUT VALVES) 0.58 kg(INCLUDE VALVES, WITHOUT COIL)
* If you need the special specification. Please contact us.	



X	SELECTION FOR FLOW CONTROL	
13A2	CAVITY ONLY(WITHOUT VALVE)	
NV48	NV13A2048L(350bar)	

Y	SELECTION FOR SOLENOID VALVES (REFER TO EP08W-X-Y-Z)	
08W2	CAVITY ONLY(WITHOUT VALVE)	
EP01	EP08W2A01N05 , 40LPM,350bar (NORMALLY CLOSED,WITHOUT COIL)	
EP02	EP08W2A02N05 , 40LPM,350bar (NORMALLY OPEN,WITHOUT COIL)	
EP01M	EP08W2A01M05 , 40LPM,350bar(NORMALLY CLOSED WITH KNOB STYLE MANUAL OVERRIDE,WITHOUT COIL)	
EP02P	EP08W2A02P05 , 40LPM,350bar(NORMALLY OPEN WITH PUSH STYLE MANUAL OVERRIDE,WITHOUT COIL)	
COIL MUST BE ORDERED SEPARATELY (REFER TO EC-04W-X-Y-Z)		

Z	BODY MATERIAL	
A	HIGH-STRENGTH ALUMINUM	