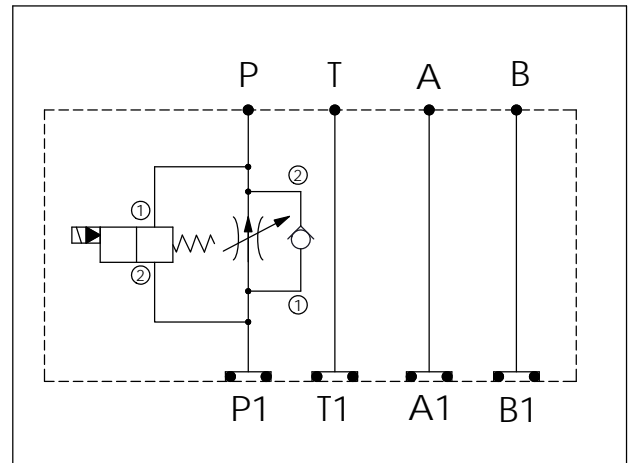


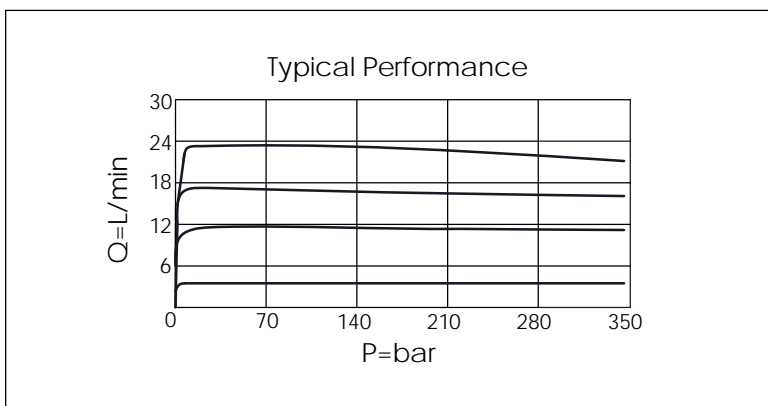
ISO 05 SANDWICH MANIFOLD

Ordering Code:	MH05FPD-X-Y-Z 01
Stack Height :	49.5mm

UNIT:mm



TECHNICAL DATA	
Aluminum Body Pressure Rating:	250 bar
Ductile Iron Body Pressure Rating:	350 bar
Rated flow:	23 l/min (Pressure Compensated)
Cartridge Valve:	Refer to FR13A-X-Y-Z EP08W-X-Y-Z
* Refer to Winner Cartridge Valves Catalog.	
Aluminum	0.62 kg(WITHOUT VALVES) 0.85 kg(INCLUDE VALVES ,WITHOUT COIL)
* If you need the special specification. Please contact us.	



Y	SELECTION FOR SOLENOID VALVES (REFER TO EP08W-X-Y-Z)
08W2	CAVITY ONLY(WITHOUT VALVE)
EP01	EP08W2A01N05 , 40LPM,350bar (NORMALLY CLOSED,WITHOUT COIL)
EP02	EP08W2A02N05 , 40LPM,350bar (NORMALLY OPEN,WITHOUT COIL)
EP01M	EP08W2A01M05 , 40LPM,350bar(NORMALLY CLOSED WITH KNOB STYLE MANUAL OVERRIDE,WITHOUT COIL)
EP02P	EP08W2A02P05 , 40LPM,350bar(NORMALLY OPEN WITH PUSH STYLE MANUAL OVERRIDE,WITHOUT COIL)
COIL MUST BE ORDERED SEPARATELY (REFER TO EC-04W-X-Y-Z)	

X	SELECTION FOR FLOW CONTROL
13A2	CAVITY ONLY(WITHOUT VALVE)
FR0A	FR13A20AL(23LPM,350bar)

Z	BODY MATERIAL
A	HIGH-STRENGTH ALUMINUM