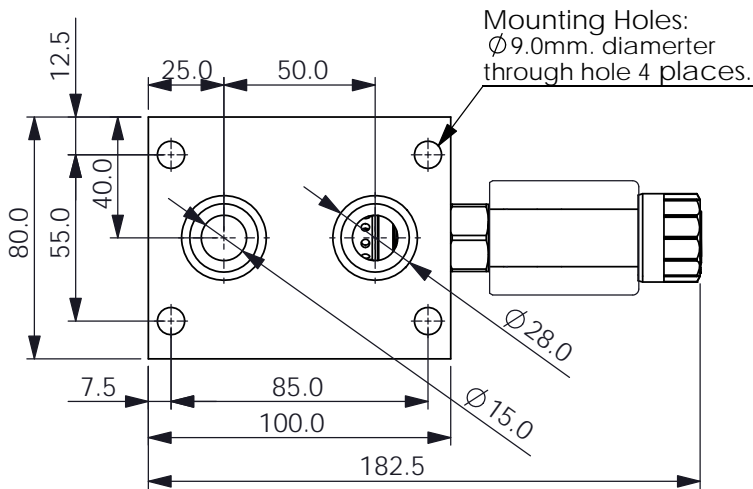
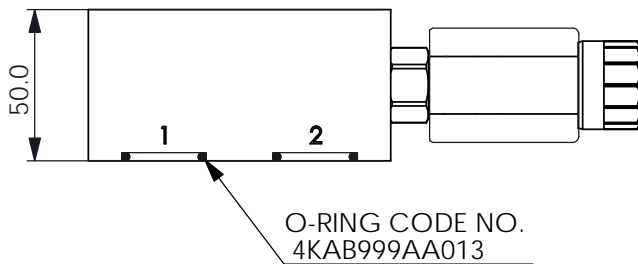
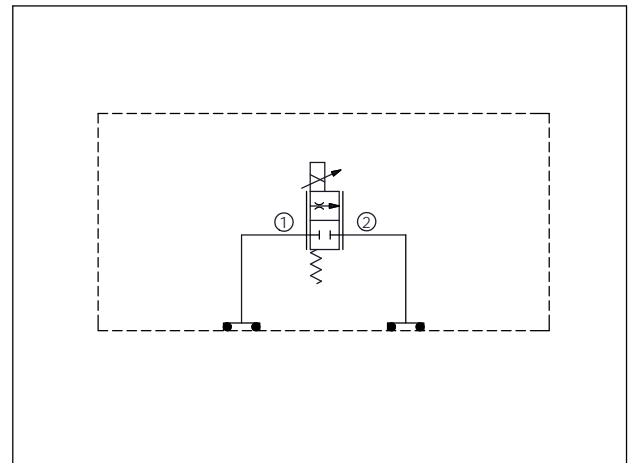
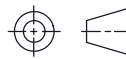


Ordering Code: MK99FPX-X-Y-Z 61
Stack Height : 50.0mm



UNIT:mm



TECHNICAL DATA

Aluminum Body Pressure Rating: 250 bar
Ductile Iron Body Pressure Rating: 350 bar

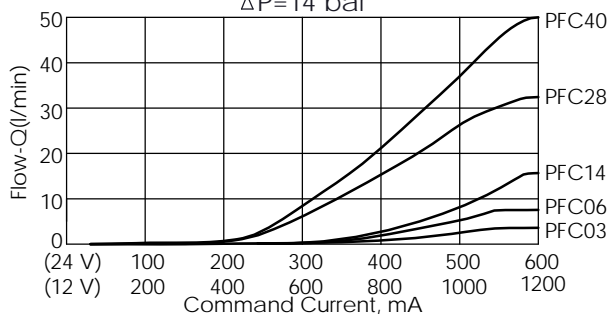
Rated flow: 40 l/min

Cartridge Valve:
Refer to PFC13A-X-Y-Z
* Refer to Winner Cartridge Valves Catalog.

Aluminum	1.0 kg(WITHOUT VALVES) 1.3 kg(INCLUDE VALVES ,WITHOUT COIL)
----------	---

* If you need the special specification.
Please contact us.

Typical Metering Performance (①→②)
ΔP=14 bar



If you need more information
Please contact our sales department

Y	SELECTION FOR FLOW CONTROL VALVE (REFER TO PFC13A-X-Y-Z)
13A2	CAVITY ONLY(WITHOUT VALVE)
PFC03	PFC13A2D0030N(0.3~3LPM)
PFC06	PFC13A2D0060N(0.4~6LPM)
PFC14	PFC13A2D0140N(0.6~14LPM)
PFC28	PFC13A2D0280N(0.8~28LPM)
PFC40	PFC13A2D0400N(1.0~40LPM)
COIL MUST BE ORDERED SEPARATELY (REFER TO EC-19A-X-Y-Z)	

X	SELECTION FOR COMPENSATOR	
N	WITHOUT PORT	

Z	BODY MATERIAL	
A	HIGH-STRENGTH ALUMINUM	