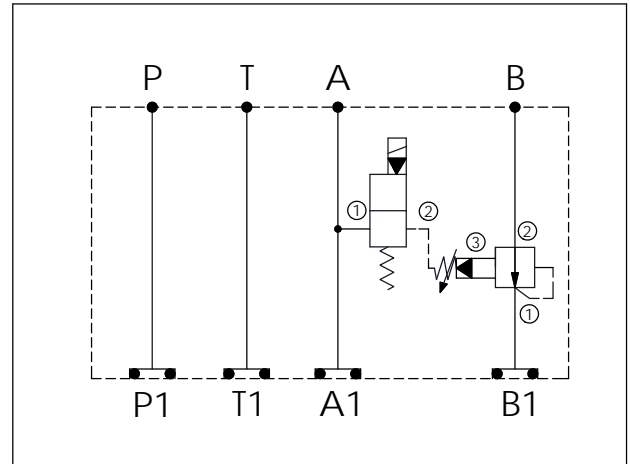
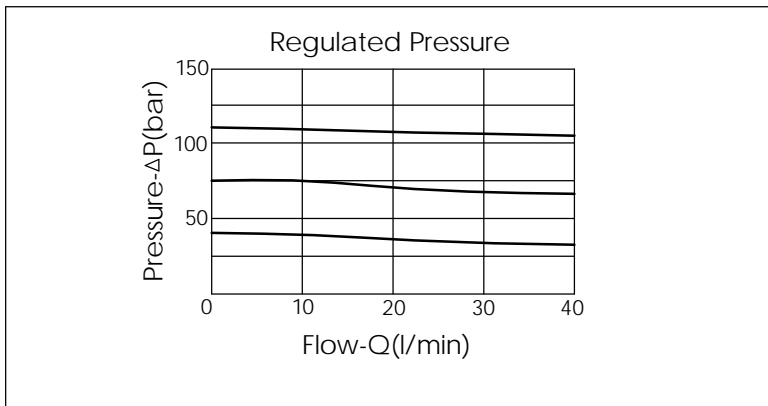


Ordering Code:	MH03PBE-X-Y-Z 01
Stack Height :	44.5mm

UNIT:mm



TECHNICAL DATA	
Aluminum Body Pressure Rating:	250 bar
Ductile Iron Body Pressure Rating:	350 bar
Rated flow:	40 l/min
Cartridge Valve:	Refer to EP08W-X-Y-Z PB11A-X-Y-Z
* Refer to Winner Cartridge Valve Catalog.	
Aluminum	0.45 kg(WITHOUT VALVES) 0.75 kg(INCLUDE VALVES ,WITHOUT COIL)
DUCTILE IRON	1.32 kg(WITHOUT VALVES) 1.62 kg(INCLUDE VALVES ,WITHOUT COIL)
* If you need the special specification. Please contact us.	



Y	SELECTION FOR B PORT CONTROL	
11A3	CAVITY ONLY(WITHOUT VALVE)	
PB0A	PB11A30AL (40LPM , 7-210bar)	

X	SELECTION FOR SOLENOID VALVES (REFER TO EP08W-X-Y-Z)
08W2	CAVITY ONLY(WITHOUT VALVE)
EP01	EP08W2A01N05 , 40LPM,350bar (NORMALLY CLOSED,WITHOUT COIL)
EP02	EP08W2A02N05 , 40LPM,350bar (NORMALLY OPEN,WITHOUT COIL)
EP01M	EP08W2A01M05 , 40LPM,350bar(NORMALLY CLOSED WITH KNOB STYLE MANUAL OVERRIDE,WITHOUT COIL)
EP02P	EP08W2A02P05 , 40LPM,350bar(NORMALLY OPEN WITH PUSH STYLE MANUAL OVERRIDE,WITHOUT COIL)

COIL MUST BE ORDERED SEPARATELY (REFER TO EC-04W-X-Y-Z)

Z	BODY MATERIAL	
A	HIGH-STRENGTH ALUMINUM	
S	DUCTILE IRON	