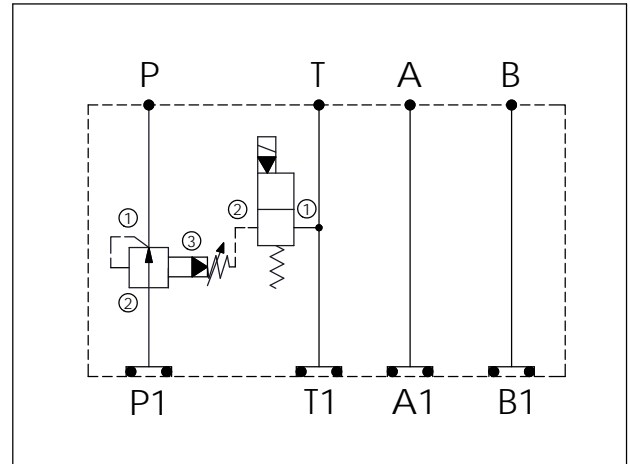


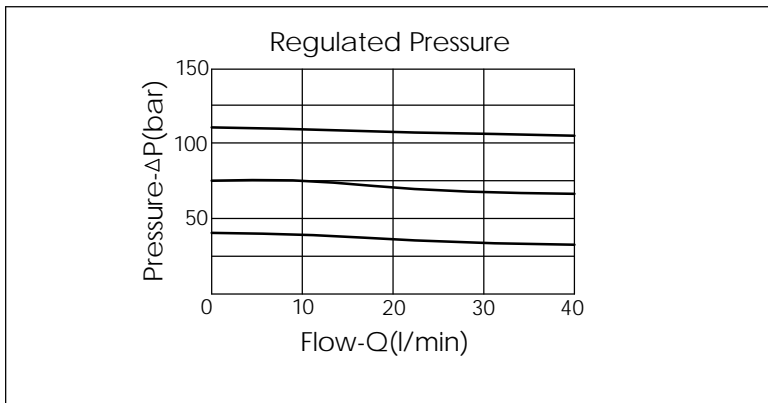
Ordering Code:	<b>MH03PPE-X-Y-Z 12</b>
Stack Height :	44.5mm

UNIT:mm



TECHNICAL DATA	
Aluminum Body Pressure Rating:	250 bar
Ductile Iron Body Pressure Rating:	350 bar
Rated flow:	40 l/min
Cartridge Valve:	Refer to PB11A-X-Y-Z EP08W-X-Y-Z
* Refer to Winner Cartridge Valve Catalog.	
Aluminum	0.65 kg(WITHOUT VALVES) 0.95 kg(INCLUDE VALVES, WITHOUT COIL)
* If you need the special specification. Please contact us.	



<b>X</b>	<b>SELECTION FOR P PORT CONTROL</b>	
<b>11A3</b>	CAVITY ONLY (WITHOUT VALVE)	
<b>PB0A</b>	PB11A30AL (40 LPM , 7-210bar)	

Y	<b>SELECTION FOR SOLENOID VALVES (REFER TO EP08W-X-Y-Z)</b>	
<b>08W2</b>	CAVITY ONLY(WITHOUT VALVE)	
<b>EP01</b>	EP08W2A01N05 , 40LPM,350bar (NORMALLY CLOSED,WITHOUT COIL)	
<b>EP02</b>	EP08W2A02N05 , 40LPM,350bar (NORMALLY OPEN,WITHOUT COIL)	
<b>EP01M</b>	EP08W2A01M05 , 40LPM,350bar(NORMALLY CLOSED WITH KNOB STYLE MANUAL OVERRIDE,WITHOUT COIL)	
<b>EP02P</b>	EP08W2A02P05 , 40LPM,350bar(NORMALLY OPEN WITH PUSH STYLE MANUAL OVERRIDE,WITHOUT COIL)	
<b>COIL MUST BE ORDERED SEPARATELY (REFER TO EC-04W-X-Y-Z)</b>		

Z	<b>BODY MATERIAL</b>	
<b>A</b>	HIGH-STRENGTH ALUMINUM	