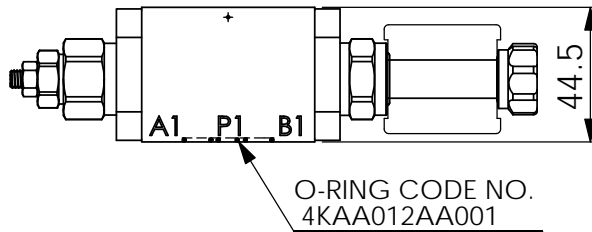
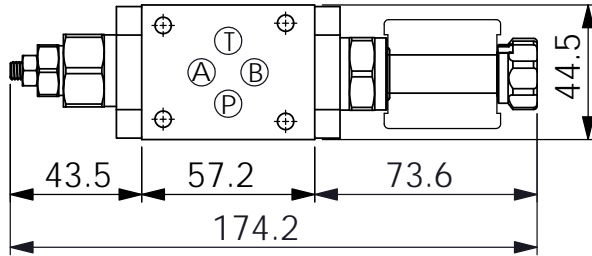
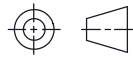


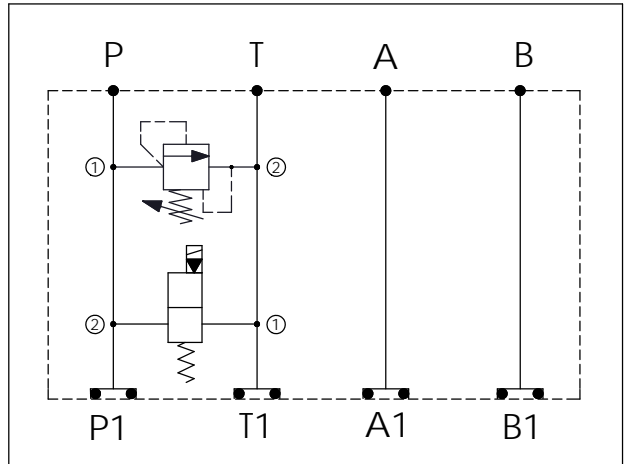
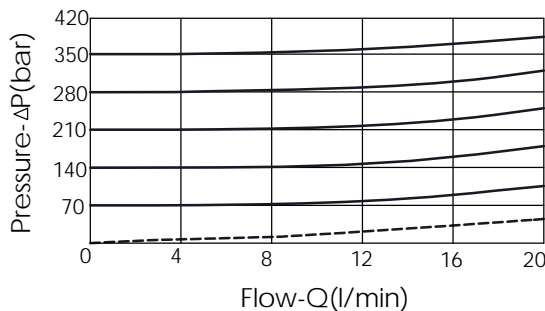
Ordering Code:	MH03RPD-X-Y-Z01
Stack Height :	44.5mm



UNIT:mm



Typical Pressure Rise



TECHNICAL DATA

Aluminum Body Pressure Rating: 250 bar
 Ductile Iron Body Pressure Rating: 350 bar

Rated flow: 20 l/min

Cartridge Valve:
 Refer to RD08W-X-Y-Z
 EP08W-X-Y-Z

* Refer to Winner Cartridge Valves Catalog.

Aluminum	0.31 kg(WITHOUT VALVES) 0.55 kg(INCLUDE VALVES ,WITHOUT COIL)
----------	--

* If you need the special specification. Please contact us.

X SELECTION FOR RELIEF VALVE (PORT ① TO ②, NEAR "A" PORT SIDE)

08W2	CAVITY ONLY(WITHOUT VALVE)
RD0A	RD08W20AL (20LPM,80-210bar)

Y SELECTION FOR SOLENOID VALVES (PORT ② TO ①, NEAR "B" PORT SIDE, REFER TO EP08W-X-Y-Z)

08W2	CAVITY ONLY(WITHOUT VALVE)
EP01	EP08W2A01N05 , 40LPM,350bar (NORMALLY CLOSED,WITHOUT COIL)
EP02	EP08W2A02N05 , 40LPM,350bar (NORMALLY OPEN,WITHOUT COIL)
EP01M	EP08W2A01M05 , 40LPM,350bar(NORMALLY CLOSED WITH KNOB STYLE MANUAL OVERRIDE,WITHOUT COIL)
EP02P	EP08W2A02P05 , 40LPM,350bar(NORMALLY OPEN WITH PUSH STYLE MANUAL OVERRIDE,WITHOUT COIL)

COIL MUST BE ORDERED SEPARATELY (REFER TO EC-04W-X-Y-Z)

Z BODY MATERIAL

A HIGH-STRENGTH ALUMINUM