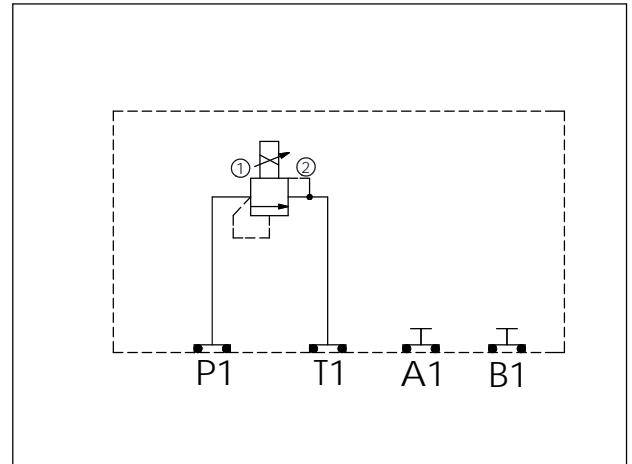


Ordering Code: **MK03RPW-X-Y-Z01**

Stack Height : 44.5mm

O-RING CODE NO.
4KAA012AA001

UNIT:mm



TECHNICAL DATA

Aluminum Body Pressure Rating: 250 bar

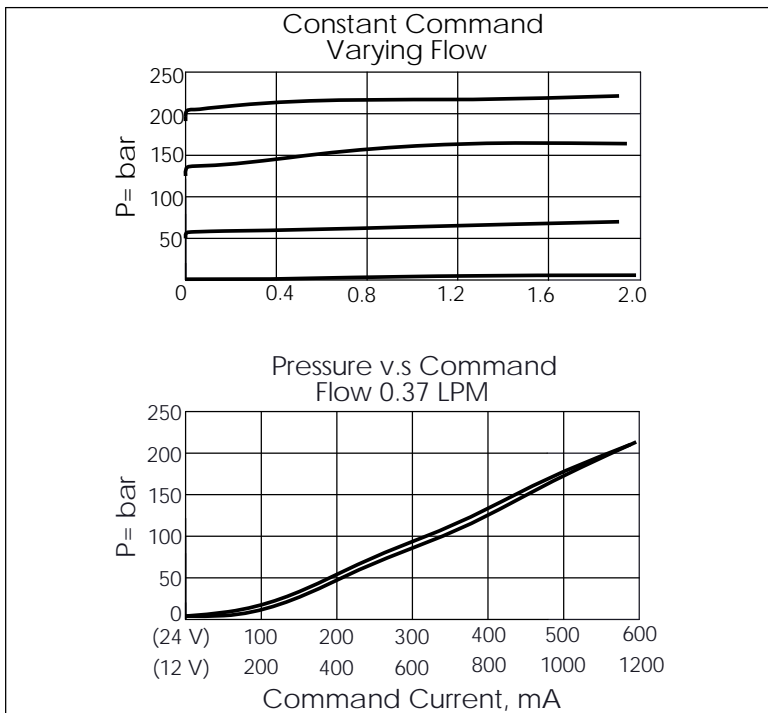
Ductile Iron
Body Pressure Rating: 350 bar

Rated flow: 1 l/min

Cartridge Valve:
Refer to PRB8A-X-Y-Z
* Refer to Winner Cartridge Valves Catalog.

Aluminum	0.28 kg(WITHOUT VALVES) 0.44 kg(INCLUDE VALVES ,WITHOUT COIL)
----------	---

* If you need the special specification.
Please contact us.



X	SELECTION FOR A PORT CONTROL	
N	WITHOUT PORT	

Y	SELECTION FOR ELECTRO-PROPORTIONAL PILOT RELIEF (PORT ① TO ② ,NEAR "B" PORT SIDE)	
8A2	CAVITY ONLY(WITHOUT VALVE)	
PRBDA	PRB8A2DAN(1LPM,20~210bar)	
COIL MUST BE ORDERED SEPARATELY (REFER TO EC-19A-X-Y-Z)		

Z	BODY MATERIAL	
A	HIGH-STRENGTH ALUMINUM	