

TECHNICAL DATA

Aluminum Body Pressure Rating: 210 bar
Ductile Iron
Body Pressure Rating: 350 bar

Cavity:
Refer to 11A3

* Refer to Winner Cartridge Valves Catalog.

Ductile Iron	1.90 kg(WITHOUT VALVES)
--------------	-------------------------

* If you need the special specification.
Please contact us.

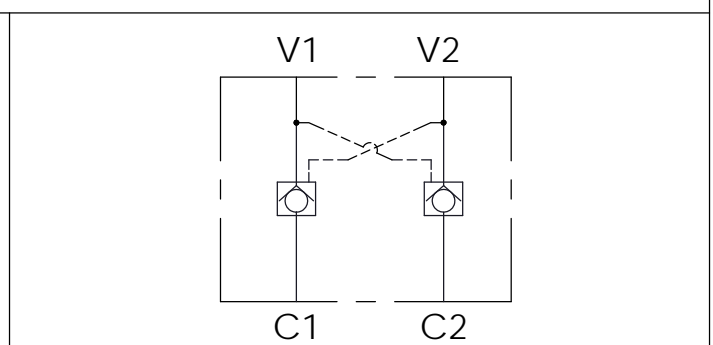
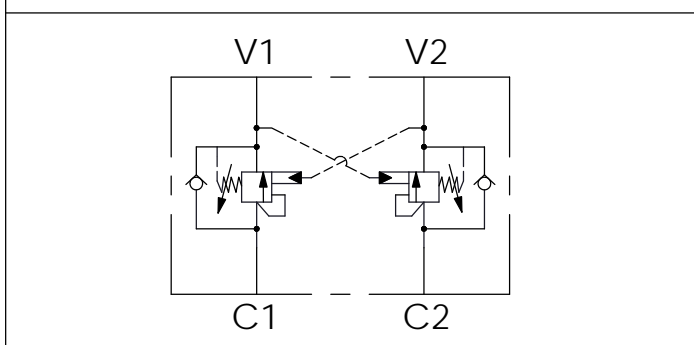
Y	SELECTION FOR V2 PORT CONTROL	
11A3	CAVITY ONLY(WITHOUT VALVE)	
CB3H	CB11A33HL (3:1 , 280bar)	
CO20	CO11A3020N (2.0bar)	

The selection is only example. Please refer to Winner Cartridge Program and to select the appropriate valves and manifolds assembly in accordance with request function (flow 、 pressure 、 ... etc.)

X	SELECTION FOR V1 PORT CONTROL	
11A3	CAVITY ONLY(WITHOUT VALVE)	
CB3H	CB11A33HL (3:1 , 280bar)	
CO20	CO11A3020N (2.0bar)	

Z	PORT SIZE	
	PORTS V1,V2	PORTS C1,C2
G03	G 3/8"	G 3/8"
G04	G 1/2"	G 1/2"

HYDRAULIC CIRCUITS(WITH VALVES)



Ordering Code: **ML-60-CDW-CB3H-CB3H-S41**

Ordering Code: **ML-60-CDW-CO20-CO20-S41**