

TECHNICAL DATA

Aluminum Body Pressure Rating: 210 bar
Ductile Iron Body Pressure Rating: 350 bar

Cavity:
Refer to 11A3

* Refer to Winner Cartridge Valves Catalog.

Aluminum	0.52 kg(WITHOUT VALVES)

* If you need the special specification.
Please contact us.

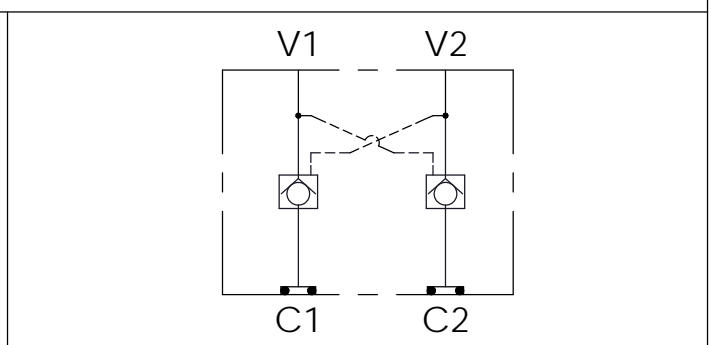
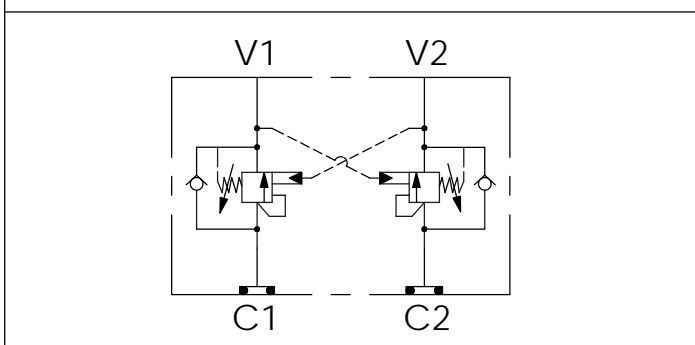
Y	SELECTION FOR V2 PORT CONTROL
11A3	CAVITY ONLY(WITHOUT VALVE)
CB3H	CB11A33HL (3:1 , 280bar)
CB4J	CB11A34JL (4.5:1 , 350bar)
CO20	CO11A3020N (2.0bar)

The selection is only example. Please refer to Winner Cartridge Program and to select the appropriate valves and manifolds assembly in accordance with request function (flow 、 pressure 、 ... etc.)

X	SELECTION FOR V1 PORT CONTROL
11A3	CAVITY ONLY(WITHOUT VALVE)
CB3H	CB11A33HL (3:1 , 280bar)
CB4J	CB11A34JL (4.5:1 , 350bar)
CO20	CO11A3020N (2.0bar)

Z	PORT SIZE
	PORTS
	V1,V2
G03	G 3/8"

HYDRAULIC CIRCUITS(WITH VALVES)



Ordering Code: ML-60-CDW-CB3H-CB3H-A42

Ordering Code: ML-60-CDW-CO20-CO20-A42