

TECHNICAL DATA

Aluminum Body Pressure Rating: 210 bar
Ductile Iron
Body Pressure Rating: 350 bar

Cavity:
Refer to 17A3

* Refer to Winner Cartridge Valves Catalog.

Aluminum	2.2 kg(WITHOUT VALVES)

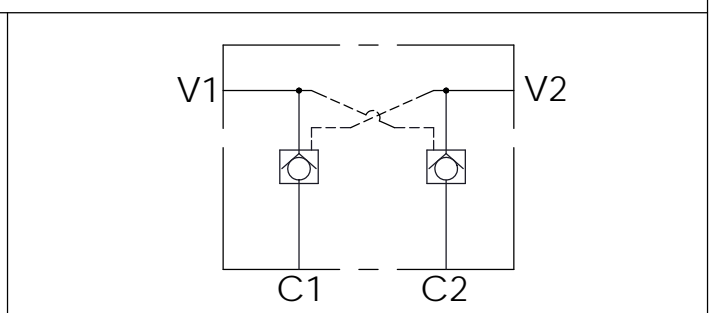
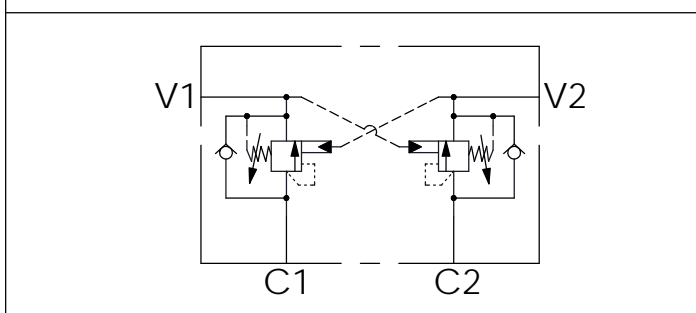
* If you need the special specification.
Please contact us.

Z	PORT SIZE		
	PORTS V1,V2	PORTS C1,C2	
G06	G 3/4"	G 3/4"	
G08	G 1"	G 1"	
G10	G1-1/4"	G1-1/4"	
S16	SAE 16	SAE 16	

X	SELECTION FOR V1 PORT CONTROL	
17A3	CAVITY ONLY(WITHOUT VALVE)	
CBCH	CB17A3CHL (3:1 , 280bar)	
CO20	CO17A3020N (2.0bar)	

X	SELECTION FOR V2 PORT CONTROL	
17A3	CAVITY ONLY(WITHOUT VALVE)	
CBCH	CB17A3CHL (3:1 , 280bar)	
CO20	CO17A3020N (2.0bar)	

HYDRAULIC CIRCUITS(WITH VALVES)



Ordering Code: **ML-240-CDW-CBCH-CBCH-A01**

Ordering Code: **ML-240-CDW-CO20-CO20-A01**