

TECHNICAL DATA

Aluminum Body Pressure Rating: 210 bar

Ductile Iron
Body Pressure Rating: 350 bar

Rated flow: 60 LPM

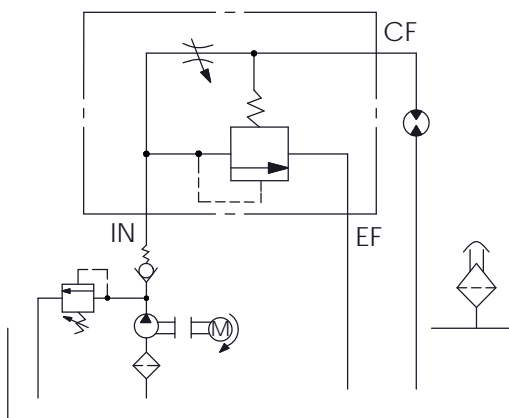
Cavity:
Refer to 13A2
11A3

* Refer to Winner Cartridge Valves Catalog.

| | |
|----------|-------------------------|
| Aluminum | 0.88 kg(INCLUDE VALVES) |
| | |

* If you need the special specification.
Please contact us.

TYPICAL CIRCUIT:
(WITHOUT RELIEF FUNCTION)



X NEEDLE VALVES

13A2 WITHOUT VALVE

NV84 NV13A2884L

The selection is only example. Please refer to Winner Cartridge Program and to select the appropriate valves and manifolds assembly in accordance with request function (flow 、 pressure 、 ... etc.)

PORT SIZE

| Z | PORTS | PORT | |
|------------|--------|--------|--|
| | IN,EF | CF | |
| G04 | G 1/2" | G 1/2" | |

Y BYPASS COMPENSATOR

11A3 WITHOUT VALVE

LR140 LR11A30140N(60LPM, ΔP=14bar)

The selection is only example. Please refer to Winner Cartridge Program and to select the appropriate valves and manifolds assembly in accordance with request function (flow 、 pressure 、 ... etc.)