

TECHNICAL DATA

Aluminum Body Pressure Rating: 210 bar

Ductile Iron
Body Pressure Rating: 350 bar

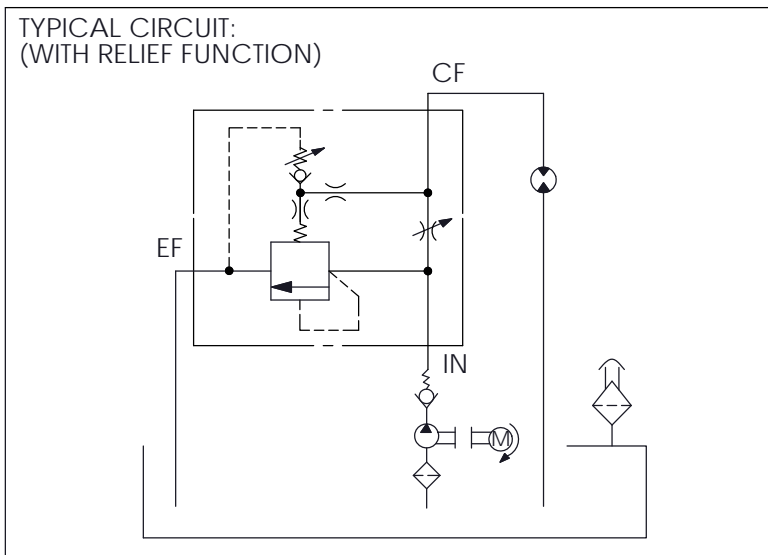
Rated flow: 60 LPM

Cavity:
Refer to 13A2
11A3

* Refer to Winner Cartridge Valves Catalog.

Aluminum	0.88 kg(INCLUDE VALVES)

* If you need the special specification.
Please contact us.



X	NEEDLE VALVES	
13A2	WITHOUT VALVE	
NV84	NV13A2884L	

The selection is only example. Please refer to Winner Cartridge Program and to select the appropriate valves and manifolds assembly in accordance with request function (flow 、 pressure 、 ... etc.)

Z	PORT SIZE	
	PORTS IN,EF	PORT CF
G04	G 1/2"	G 1/2"

Y	BYPASS COMPENSATOR	
11A3	WITHOUT VALVE	
RV0A	RV11A3BAL(40LPM, ΔP=7bar)	

The selection is only example. Please refer to Winner Cartridge Program and to select the appropriate valves and manifolds assembly in accordance with request function (flow 、 pressure 、 ... etc.)