

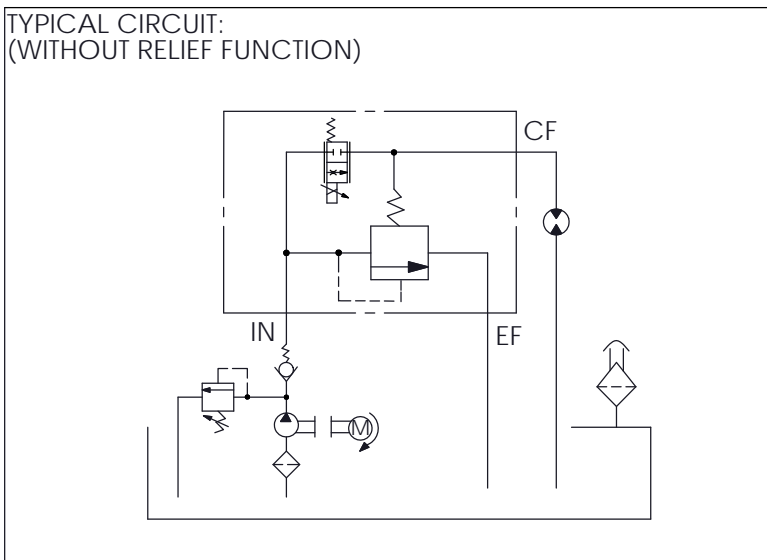
TECHNICAL DATA

Aluminum Body Pressure Rating: 210 bar
Ductile Iron
Body Pressure Rating: 350 bar
Rated flow: 40 LPM

Cavity:
Refer to 13A2
11A3
* Refer to Winner Cartridge Valves Catalog.

Aluminum	1.1 kg(INCLUDE VALVES)

* If you need the special specification.
Please contact us.



X	SELECTION FOR FLOW CONTROL VALVE (REFER TO PFC13A-X-Y-Z)	
13A2	CAVITY ONLY(WITHOUT VALVE)	
PFC06	PFC13A2D0060N(0.4~6LPM)	
PFC14	PFC13A2D0140N(0.6~14LPM)	
PFC28	PFC13A2D0280N(0.8~28LPM)	
PFC40	PFC13A2D0400N(1.0~40LPM)	
COIL MUST BE ORDERED SEPARATELY (REFER TO EC-19A-X-Y-Z)		
The selection is only example. Please refer to Winner Cartridge Program and to select the appropriate valves and manifolds assembly in accordance with request function (flow 、 pressure 、 ... etc.)		

Y	BYPASS COMPENSATOR	
11A3	WITHOUT VALVE	
LR140	LR11A30140N(60LPM, ΔP=14bar)	
The selection is only example. Please refer to Winner Cartridge Program and to select the appropriate valves and manifolds assembly in accordance with request function (flow 、 pressure 、 ... etc.)		

Z	PORT SIZE	
	PORTS	PORT
	IN,EF	CF
G04	G 1/2"	G 1/2"