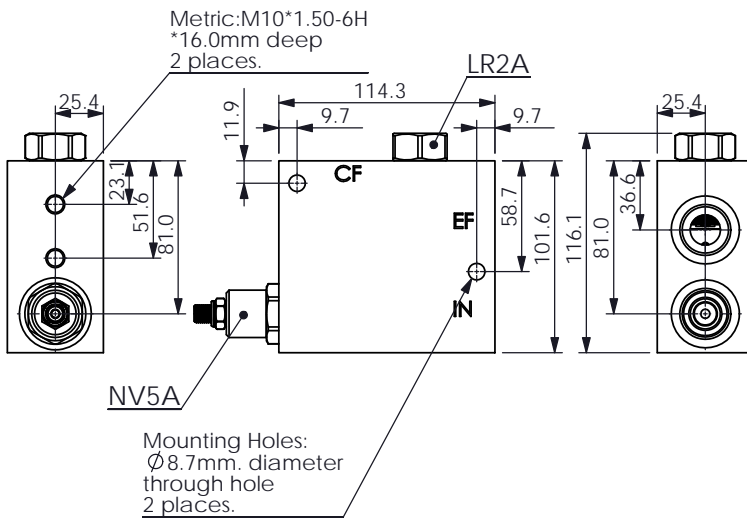
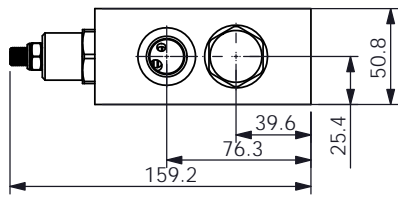
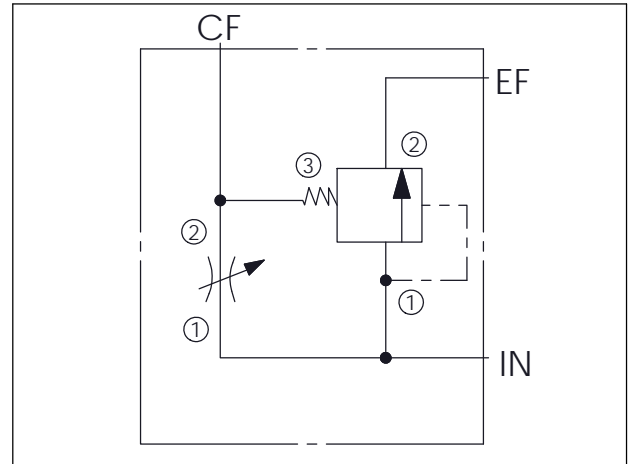
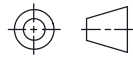


Ordering Code: **ML-120-FRW-X-Y-Z-A01**



UNIT:mm



### TECHNICAL DATA

Aluminum Body Pressure Rating: 210 bar

Ductile Iron Body Pressure Rating: 350 bar

Rated flow: 120 LPM

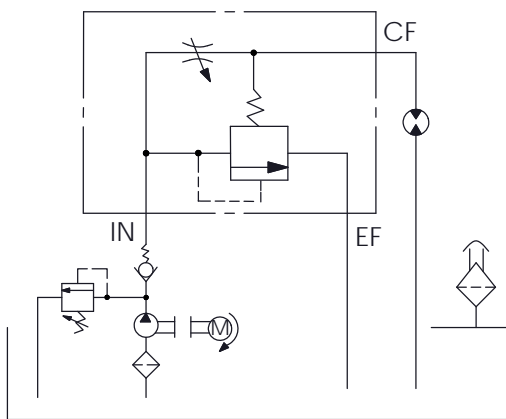
Cavity:  
Refer to 5A2  
2A3

\* Refer to Winner Cartridge Valves Catalog.

|          |                        |
|----------|------------------------|
| Aluminum | 1.8 kg(INCLUDE VALVES) |
|          |                        |

\* If you need the special specification. Please contact us.

TYPICAL CIRCUIT:  
(WITHOUT RELIEF FUNCTION)



### X NEEDLE VALVES

|       |               |  |
|-------|---------------|--|
| 5A2   | WITHOUT VALVE |  |
| NV127 | NV5A28127L    |  |
|       |               |  |

The selection is only example. Please refer to Winner Cartridge Program and to select the appropriate valves and manifolds assembly in accordance with request function (flow · pressure · ... etc.)

### PORT SIZE

|     |        |        |  |
|-----|--------|--------|--|
| Z   | PORTS  | PORT   |  |
|     | IN,EF  | CF     |  |
| G06 | G 3/4" | G 1/2" |  |

### Y BYPASS COMPENSATOR

2A3 WITHOUT VALVE

LR140 LR2A30140N(120LPM, ΔP=14bar)

The selection is only example. Please refer to Winner Cartridge Program and to select the appropriate valves and manifolds assembly in accordance with request function (flow · pressure · ... etc.)