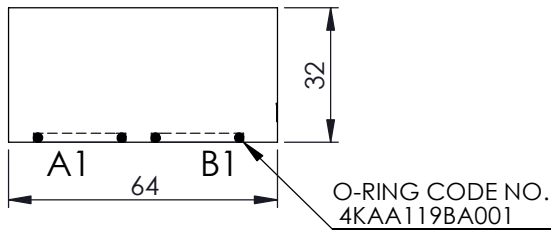
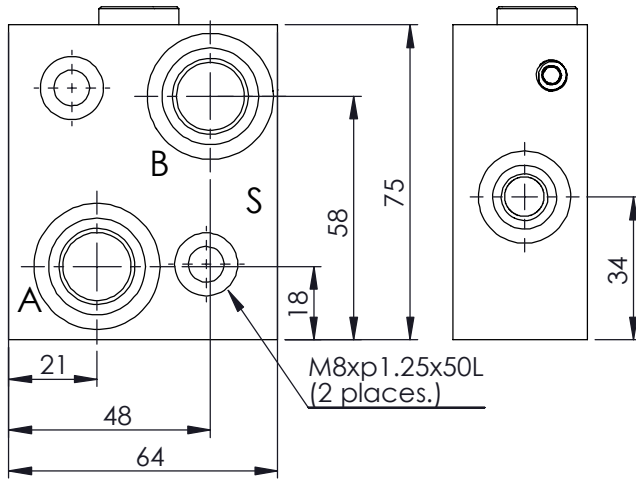
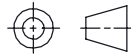


Ordering Code: **MM-75-KAB-Y-Z-A01**  
Stack Height : 32.0mm

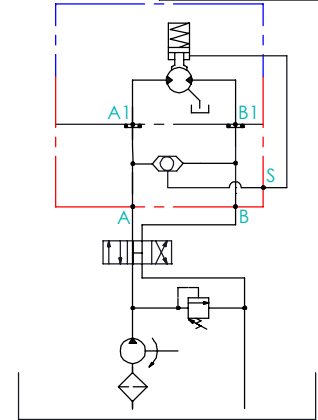


UNIT:mm

Aluminum Body



**Hydraulic Circuit KAB**



### TECHNICAL DATA

Aluminum Body Pressure Rating: 250 bar

Rated flow: 75 l/min

Weight: 0.4 kg(include valve)

\* If you need the special specification.  
Please contact us.

Y	PORT SIZE	
	PORTS	
	A.B	
G04	G 1/2"	

Z	PORT SIZE	
	PORT	
	S	
G02	G 1/4"	