

TECHNICAL DATA

Aluminum Body Pressure Rating: 210 bar
 Ductile Iron Body Pressure Rating: 350 bar

Cavity:
 Refer to 2A3
 5A2

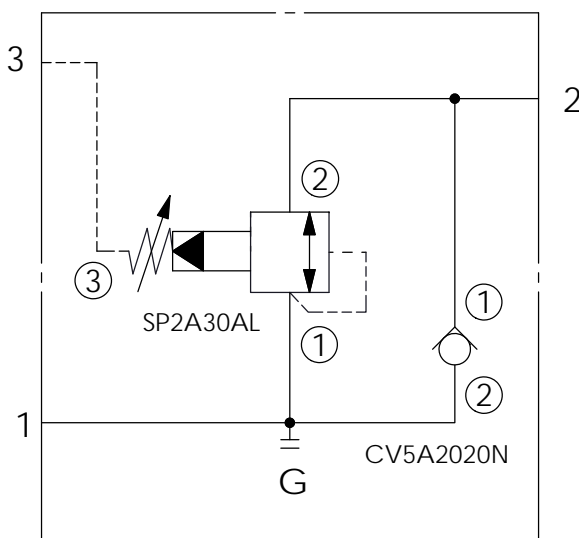
* Refer to Winner Cartridge Valves Catalog.

| | |
|----------|------------------------|
| Aluminum | 0.8 kg(WITHOUT VALVES) |
| | |

* If you need the special specification. Please contact us.

TYPICAL CIRCUIT:

PORT 1 TO PORT 2 SEQUENCE



X CARTRIDGE VALVES SELECTION

| | | |
|-------------|------------------------------|--|
| 2A3 | CAVITY ONLY(WITHOUT VALVE) | |
| SP0A | SP2A30AL (120LPM , 7-210bar) | |

The selection is only example. Please refer to Winner Cartridge Program and to select the appropriate valves and manifolds assembly in accordance with request function (flow 、 pressure 、 ... etc.)

Y SELECTION FOR SOLENOID VALVES (REFER TO CV5A-X-Y-Z)

| | | |
|-------------|----------------------------|--|
| 5A2 | CAVITY ONLY(WITHOUT VALVE) | |
| CV20 | CV5A2020N(160LPM,2.0bar) | |

The selection is only example. Please refer to Winner Cartridge Program and to select the appropriate valves and manifolds assembly in accordance with request function (flow 、 pressure 、 ... etc.)

PORT SIZE

| | | | | |
|--------------|--------------|-------------|-------------|--|
| Z | PORTS | PORT | PORT | |
| | 1,2 | 3 | G | |
| G04AG | G 1/2" | G 1/4" | G 1/4" | |