

TECHNICAL DATA

Aluminum Body Pressure Rating: 210 bar
 Ductile Iron Body Pressure Rating: 350 bar

Cavity:
 Refer to 17A3
 16A2

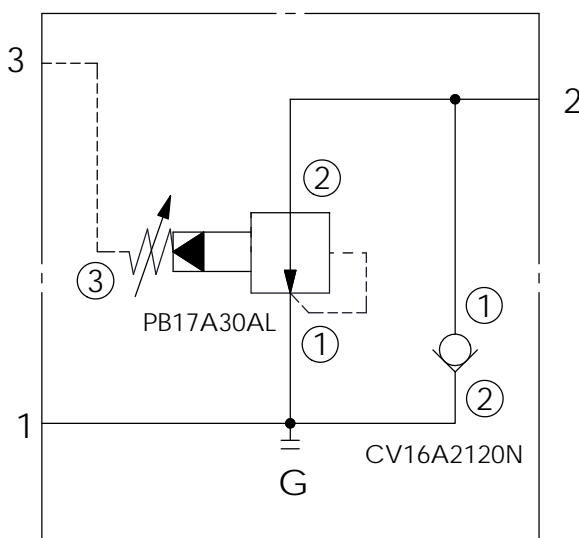
* Refer to Winner Cartridge Valves Catalog.

Aluminum	1.1 kg(WITHOUT VALVES)

* If you need the special specification. Please contact us.

TYPICAL CIRCUIT:

PORT 2 TO PORT 1
 REDUCING



X CARTRIDGE VALVES SELECTION

17A3	CAVITY ONLY(WITHOUT VALVE)	
PB0A	PB17A30AL (160LPM , 7-210bar)	

The selection is only example. Please refer to Winner Cartridge Program and to select the appropriate valves and manifolds assembly in accordance with request function (flow 、 pressure 、 ... etc.)

Y SELECTION FOR SOLENOID VALVES (REFER TO CV16A-X-Y-Z)

16A2	CAVITY ONLY(WITHOUT VALVE)	
CV20	CV16A2120N(240LPM,2.0bar)	

The selection is only example. Please refer to Winner Cartridge Program and to select the appropriate valves and manifolds assembly in accordance with request function (flow 、 pressure 、 ... etc.)

PORT SIZE

Z	PORTS	PORT	PORT	
	1,2	3	G	
G06AG	G 3/4"	G 1/4"	G 1/4"	