

### TECHNICAL DATA

Aluminum Body Pressure Rating: 210 bar  
Ductile Iron Body Pressure Rating: 350 bar

Cavity:  
Refer to 17A3  
16A2

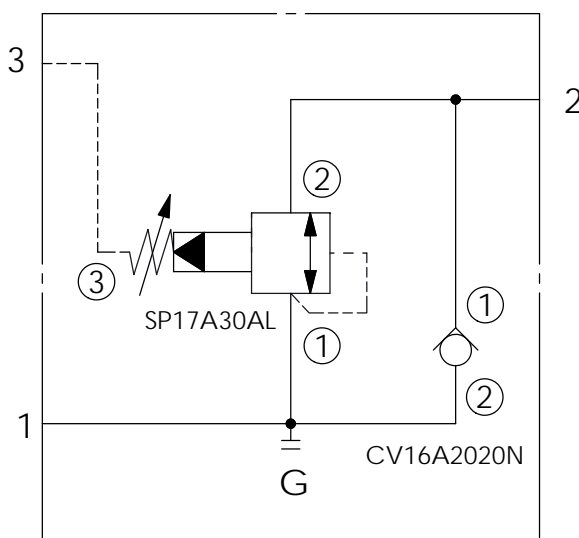
\* Refer to Winner Cartridge Valves Catalog.

Aluminum	1.1 kg(WITHOUT VALVES)

\* If you need the special specification. Please contact us.

### TYPICAL CIRCUIT:

#### PORT 1 TO PORT 2 SEQUENCE



### X CARTRIDGE VALVES SELECTION

**17A3** CAVITY ONLY(WITHOUT VALVE)

**SP0A** SP17A30AL (240LPM , 7-210bar)

The selection is only example. Please refer to Winner Cartridge Program and to select the appropriate valves and manifolds assembly in accordance with request function (flow , pressure , ... etc.)

### Y SELECTION FOR SOLENOID VALVES (REFER TO CV16A-X-Y-Z)

**16A2** CAVITY ONLY(WITHOUT VALVE)

**CV20** CV16A2020N(320LPM,2.0bar)

The selection is only example. Please refer to Winner Cartridge Program and to select the appropriate valves and manifolds assembly in accordance with request function (flow , pressure , ... etc.)

### PORT SIZE

Z	PORTS		
	1,2	3	G
<b>G06AG</b>	G 3/4"	G 1/4"	G 1/4"