

TECHNICAL DATA

Aluminum Body Pressure Rating: 210 bar
Ductile Iron Body Pressure Rating: 350 bar

Cavity:
Refer to 3A2

* Refer to Winner Cartridge Valves Catalog.

Aluminum	0.61 kg(WITHOUT VALVES)

* If you need the special specification.
Please contact us.

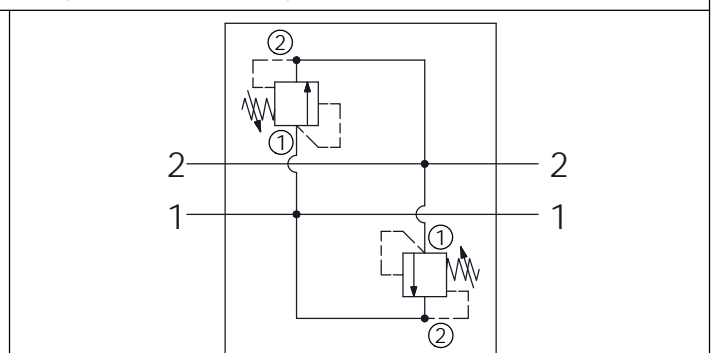
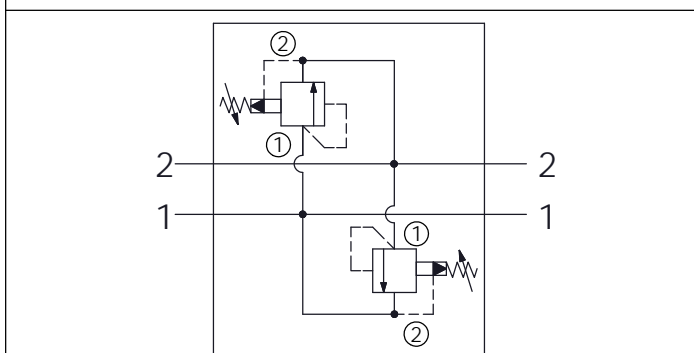
X	SELECTION FOR V1 PORT CONTROL	
3A2	CAVITY ONLY(WITHOUT VALVE)	
RP0A	RP3A20AL (200LPM , 70-280bar)	
RD5A	RD3A25AL (200LPM,35-210bar)	

Z	PORT SIZE		
	PORT 1	PORT 2	
G04	G 1/2"	G 1/2"	

Y	SELECTION FOR V2 PORT CONTROL	
3A2	CAVITY ONLY(WITHOUT VALVE)	
RP0A	RP3A20AL (200LPM , 70-280bar)	
RD5A	RD3A25AL (200LPM,35-210bar)	

The selection is only example. Please refer to Winner Cartridge Program and to select the appropriate valves and manifolds assembly in accordance with request function (flow 、 pressure 、 ... etc.)

HYDRAULIC CIRCUITS(WITH VALVES)



Ordering Code: **ML-120-RDH-RP0A-RP0A-G04-A01**

Ordering Code: **ML-120-RDH-RD5A-RD5A-G04-A01**